

Purevista

Megagrip with Top Seal
& Side Cladding

TITLE:

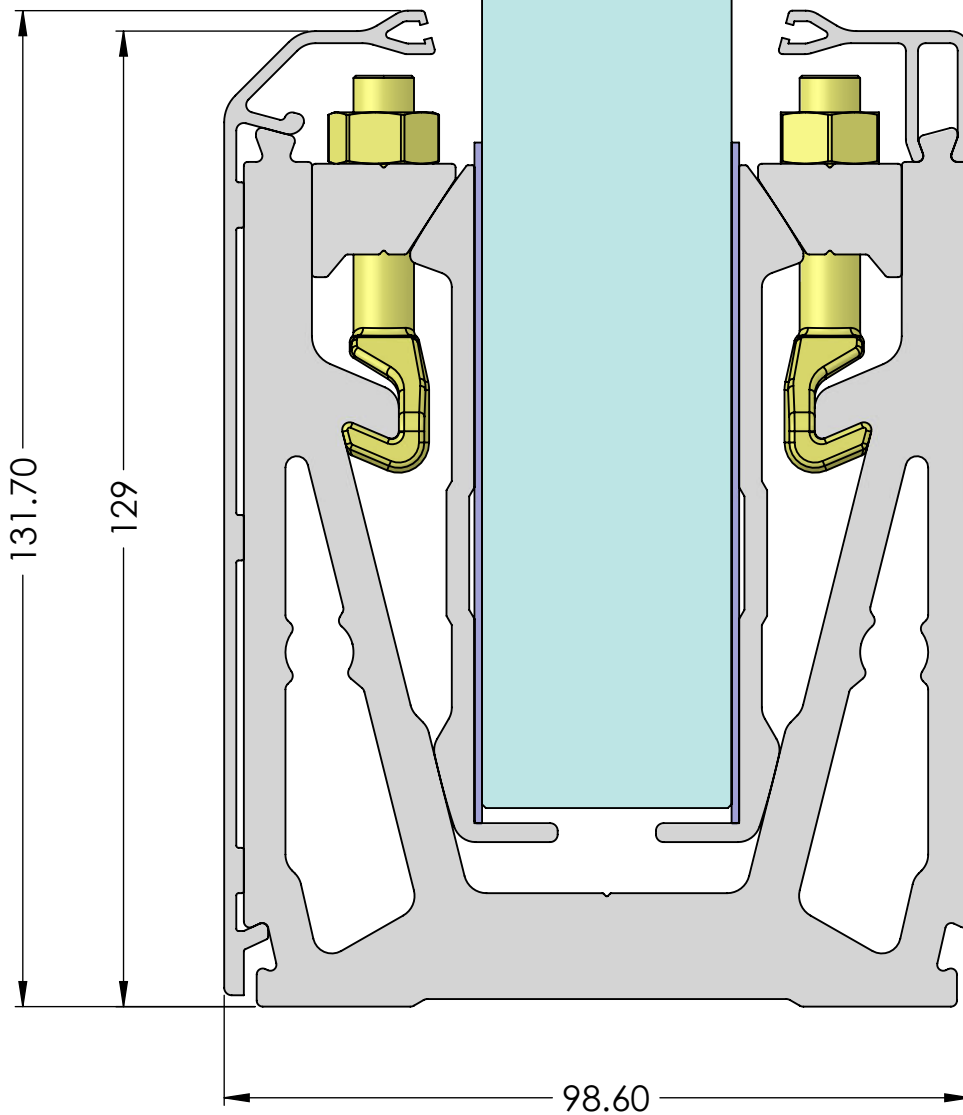
DWG NO.

11-10-16

A4

SCALE:1:20

SHEET 3 OF 3



Purevista

TITLE:

Megagrip with Top Seal

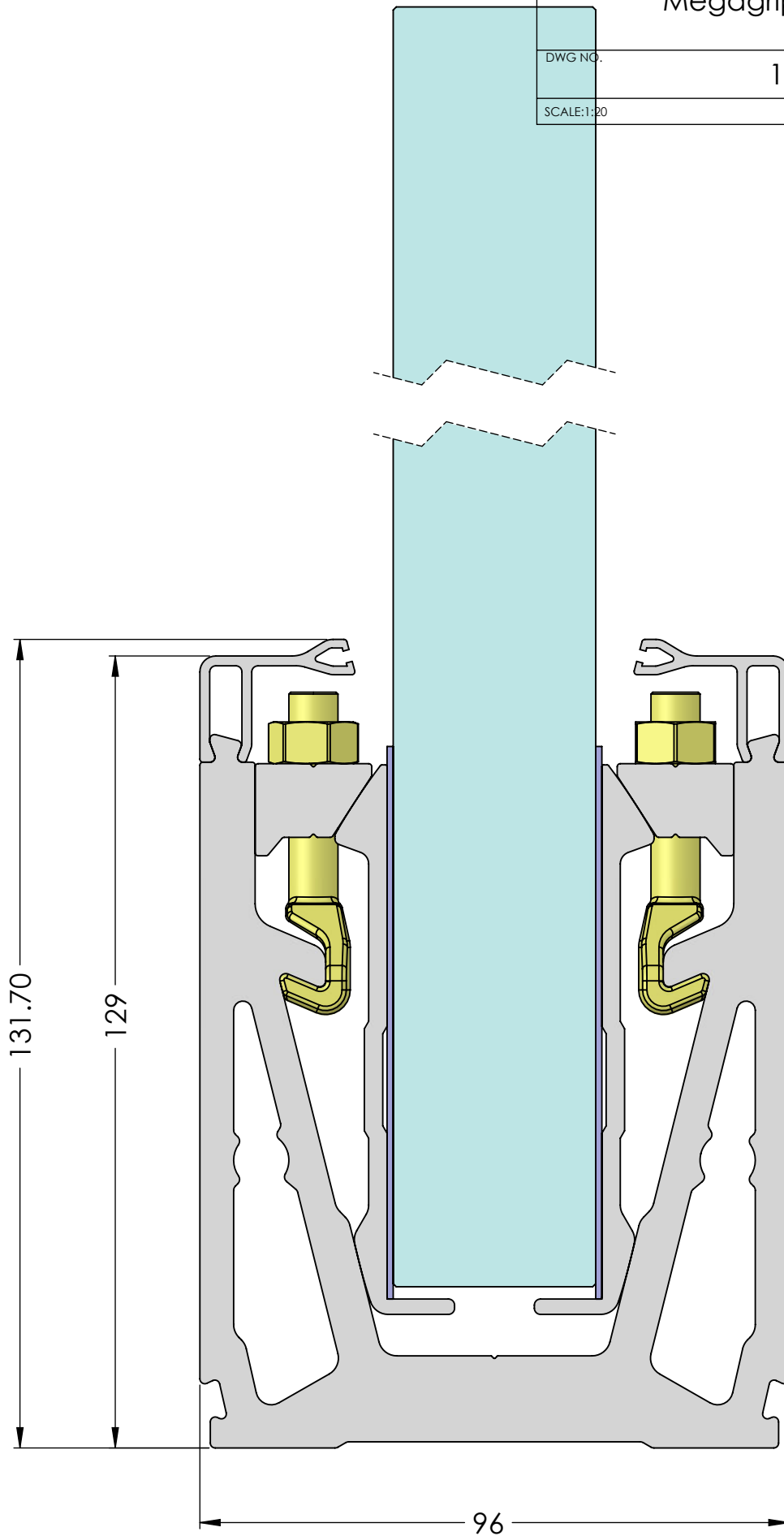
DWG NO.

11-10-16

A4

SCALE:1:20

SHEET 2 OF 3



Purevista

TITLE:

Megagrip with Side Cladding

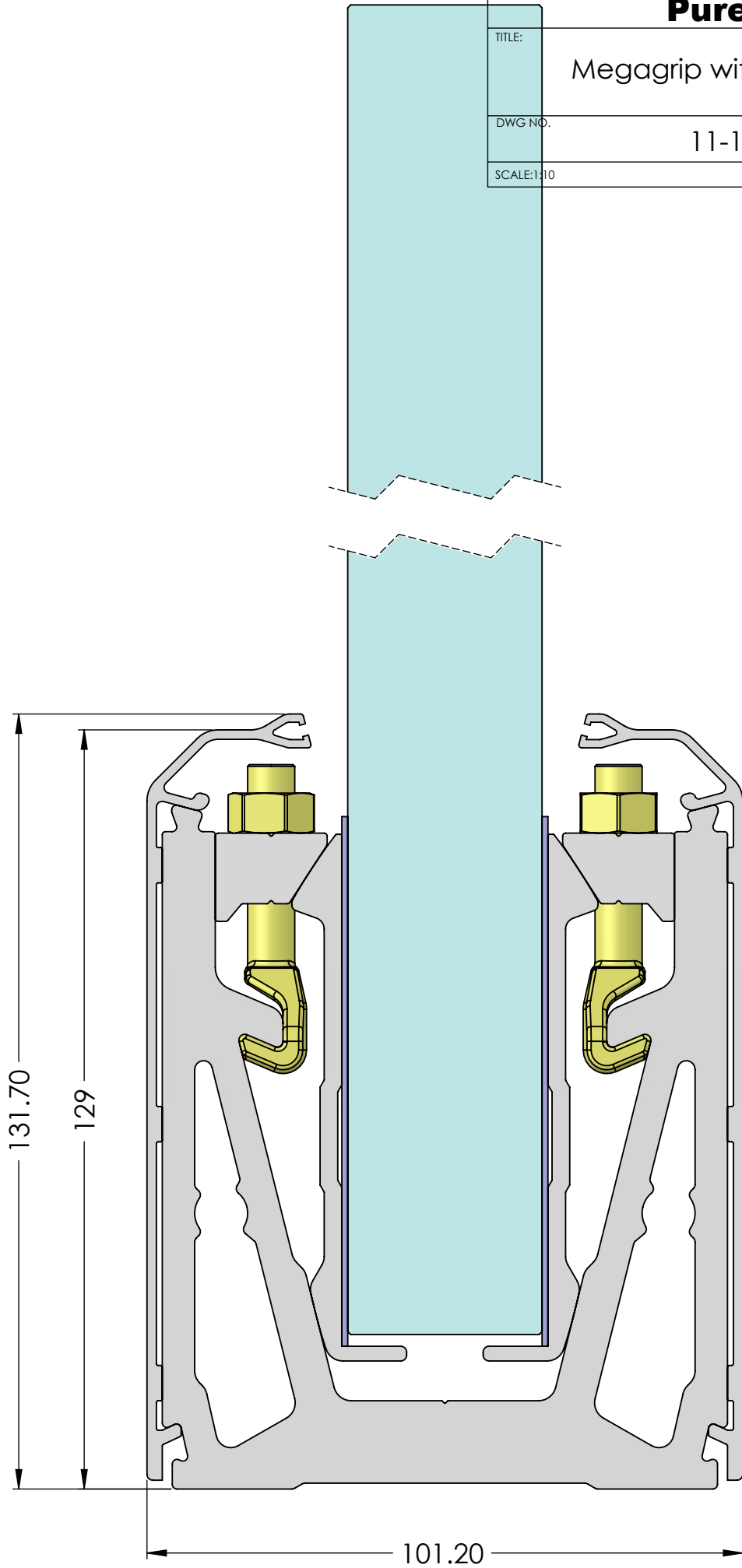
DWG NO.

11-10-16

A4

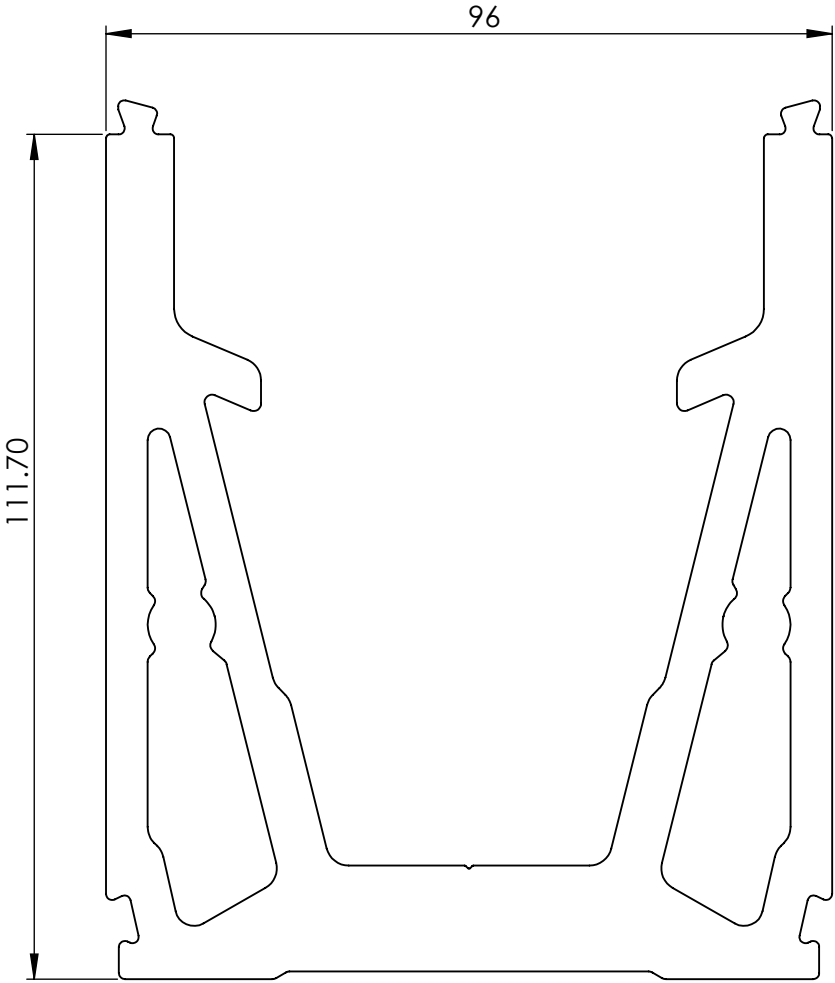
SCALE:1:10

SHEET 1 OF 3



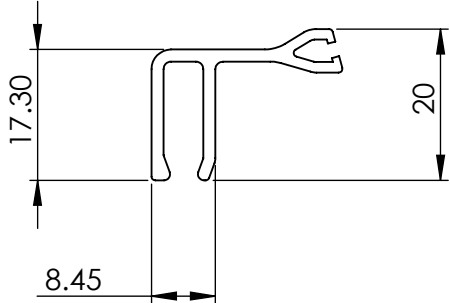
DO NOT SCALE DRAWING		REVISION
Purevista		
TITLE: Megagrip Channel MG-001 Rev14-7-15		
DWG NO.	14-07-15	A4
SCALE:1:1	SHEET 1 OF 1	

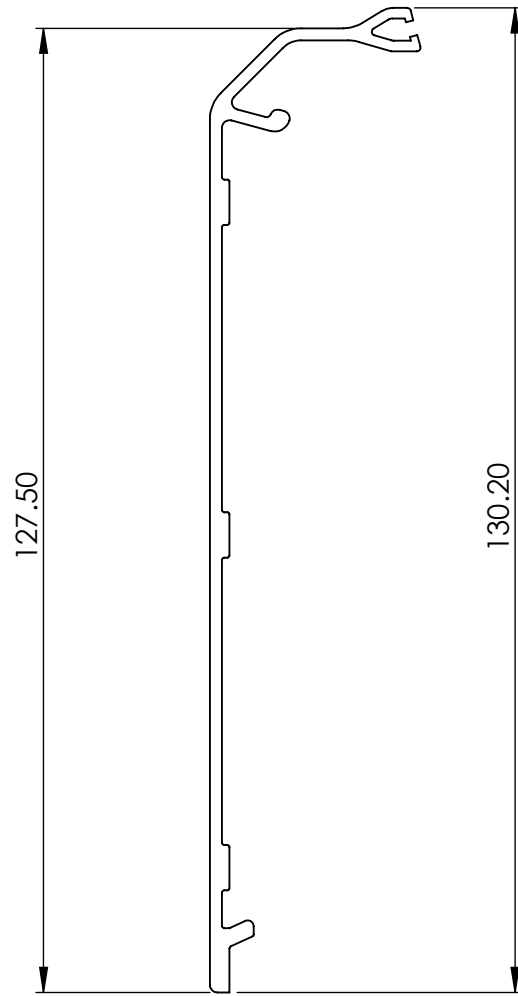
Aluminium 6082-T6



DO NOT SCALE DRAWING	REVISION	
Purevista		
TITLE: Top Seal MG-005 Rev 14-7-15		
DWG NO.	14-07-15	A4
SCALE:1:1	SHEET 1 OF 1	

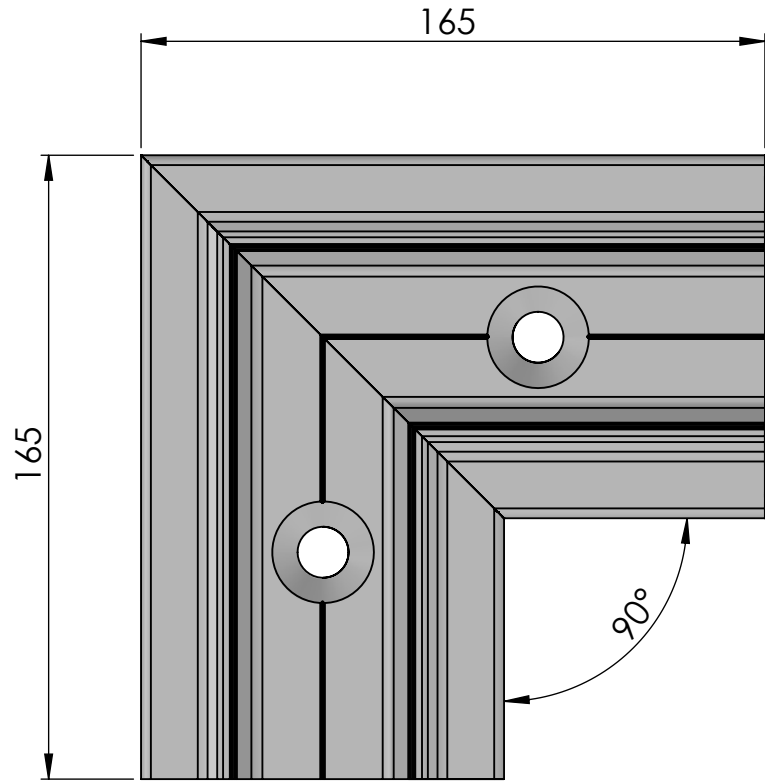
Aluminium 6063-T6



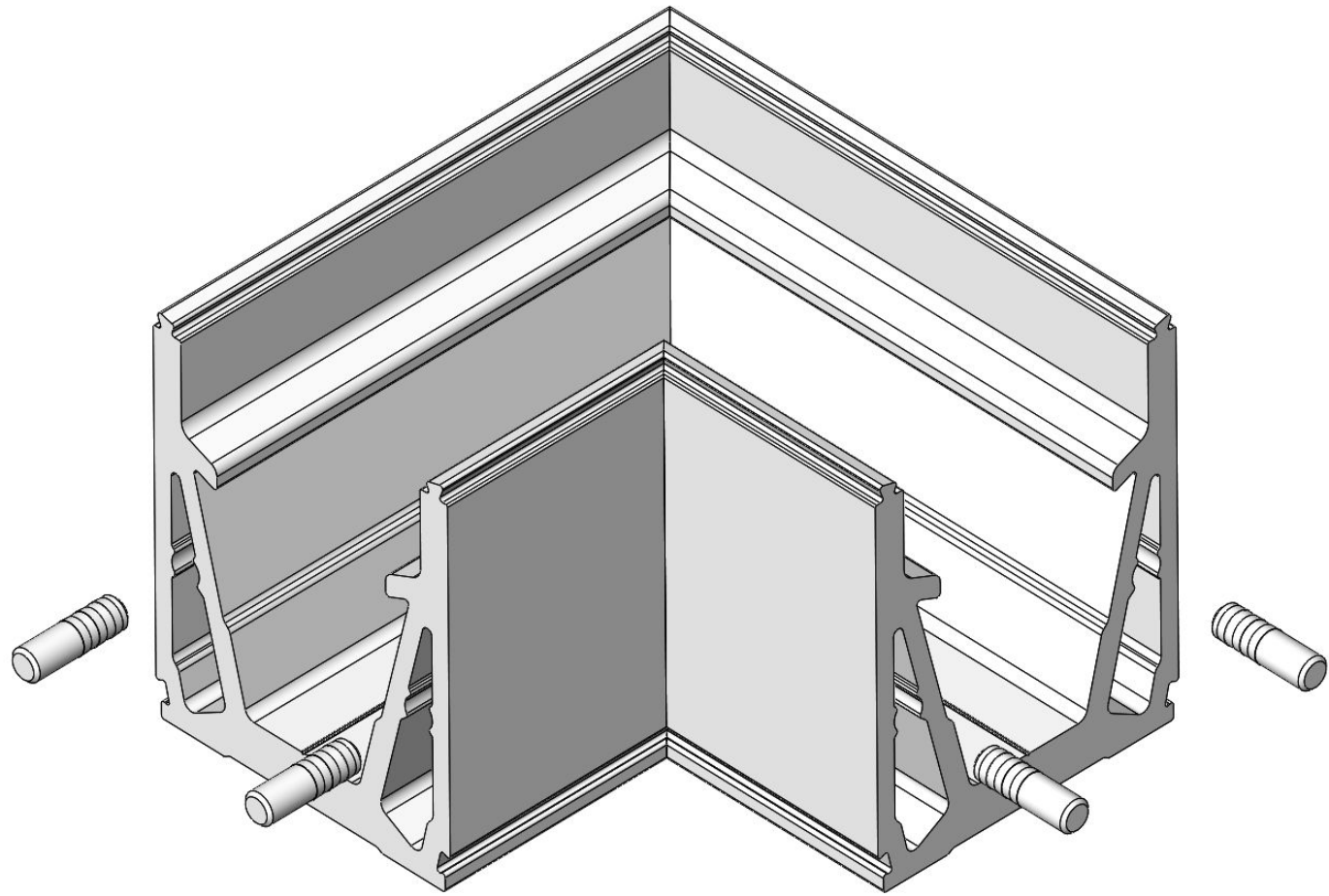


DO NOT SCALE DRAWING	REVISION	
Purevista		
TITLE: Side Cladding MG-004 Rev 14-7-15		
DWG NO.	14-07-15	A4
SCALE:1:1	SHEET 1 OF 1	

Aluminium 6063-T6



DO NOT SCALE DRAWING		REVISION	
Purevista			
TITLE: Megagrip 45 Degree Corner Channel			
DWG NO.			A4
SCALE:1:5		SHEET 4 OF 7	



DO NOT SCALE DRAWING

REVISION

Purevista

TITLE:

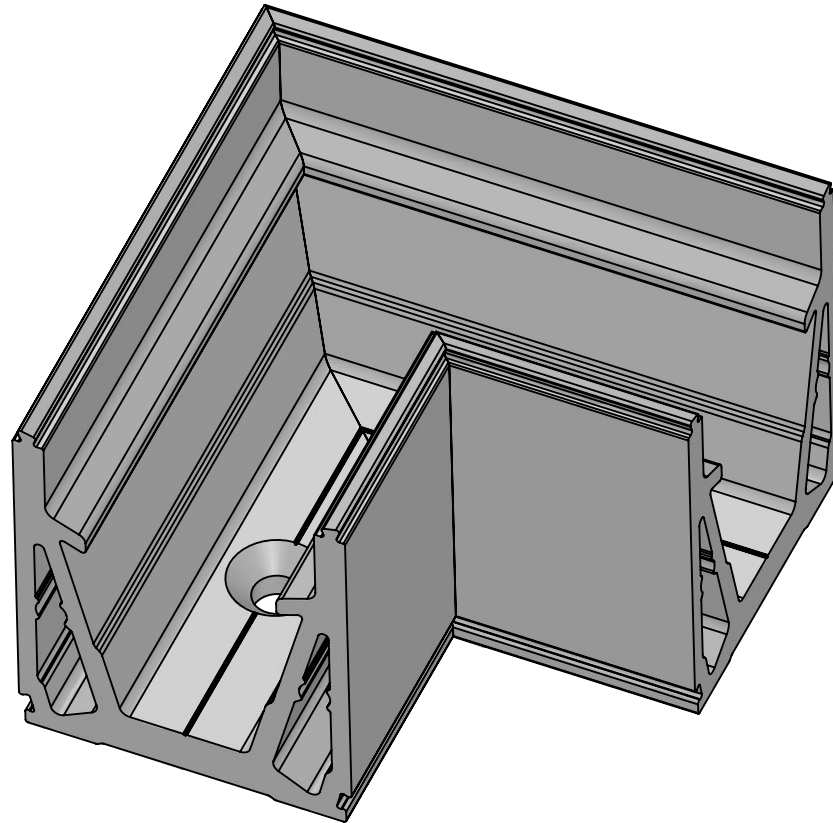
Megagrip 45 Degree Corner

DWG NO.

A4

SCALE:1:5

SHEET 1 OF 7



DO NOT SCALE DRAWING

REVISION

Purevista

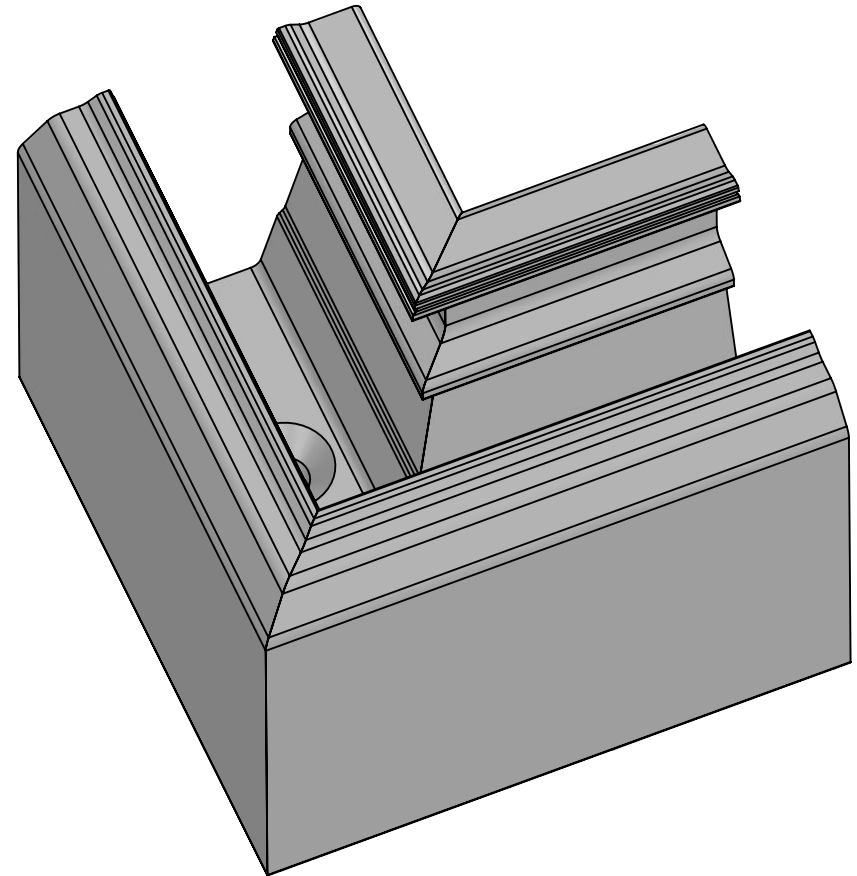
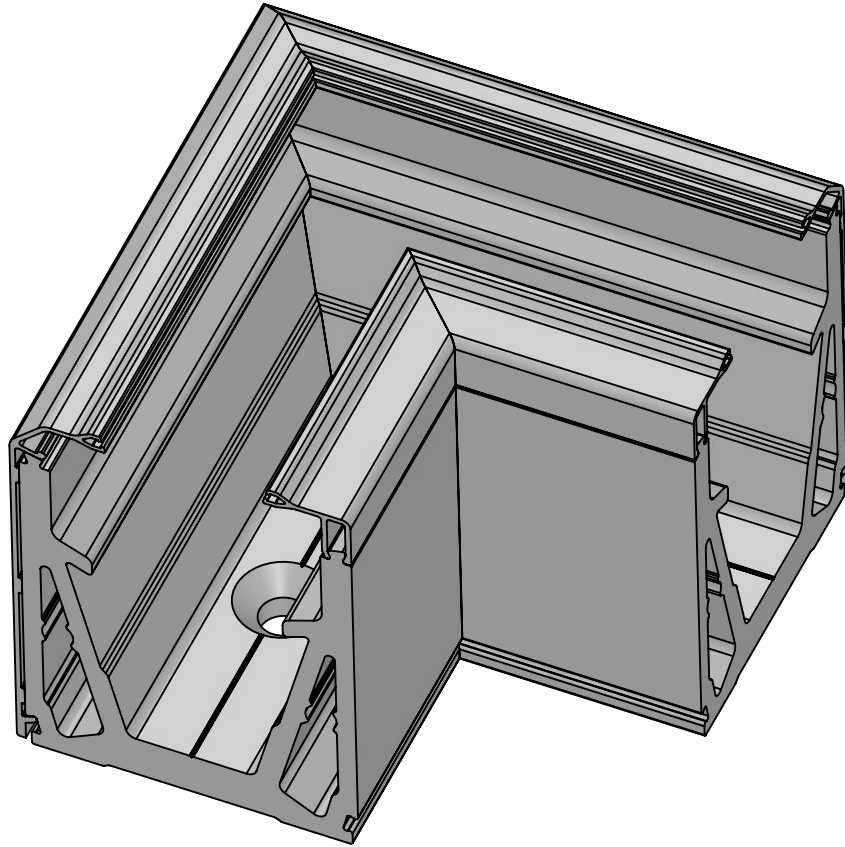
TITLE:
Megagrip 45 Degree Corner
with Side Cladding

DWG NO.

A4

SCALE:1:5

SHEET 3 OF 7



Purevista

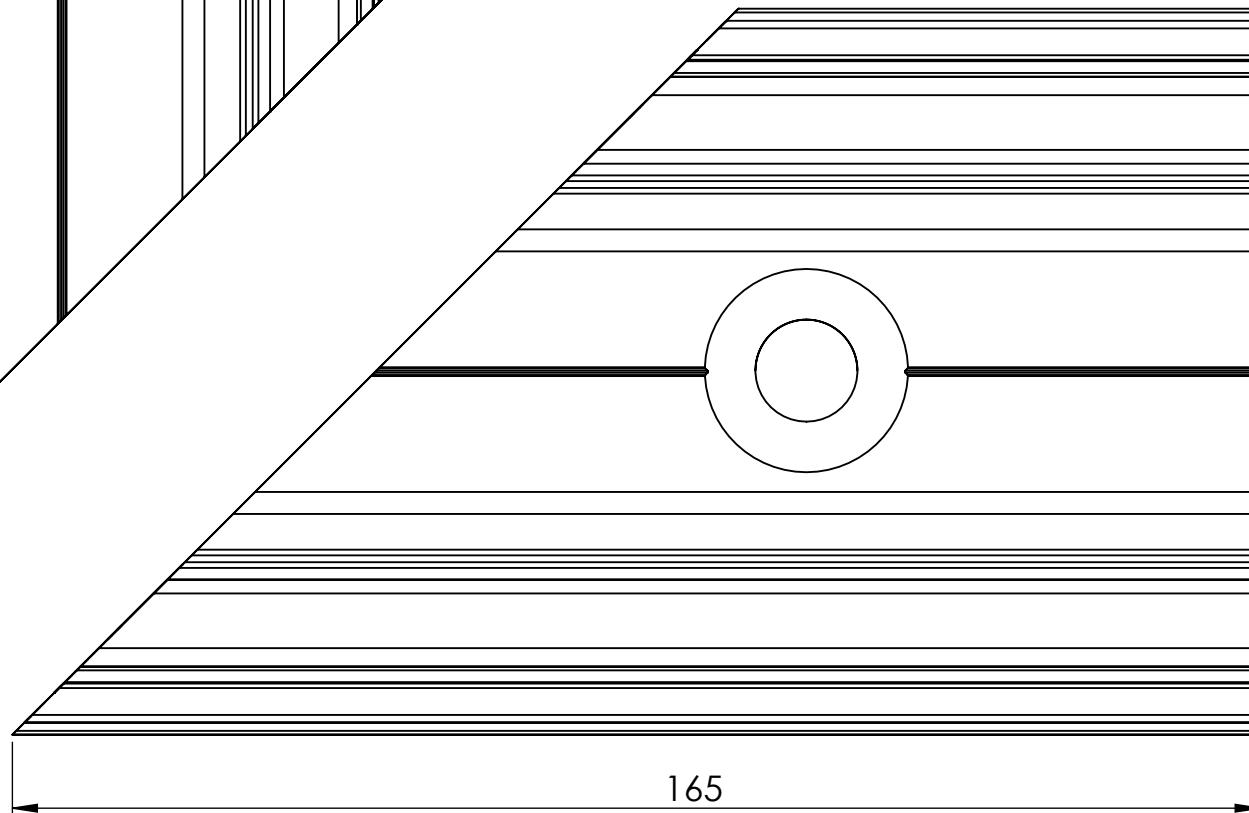
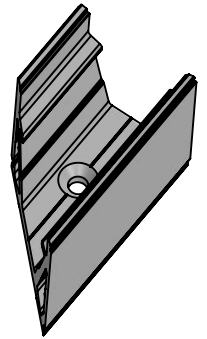
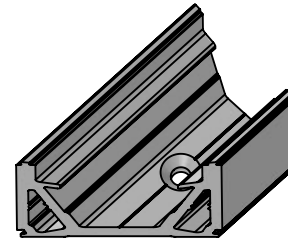
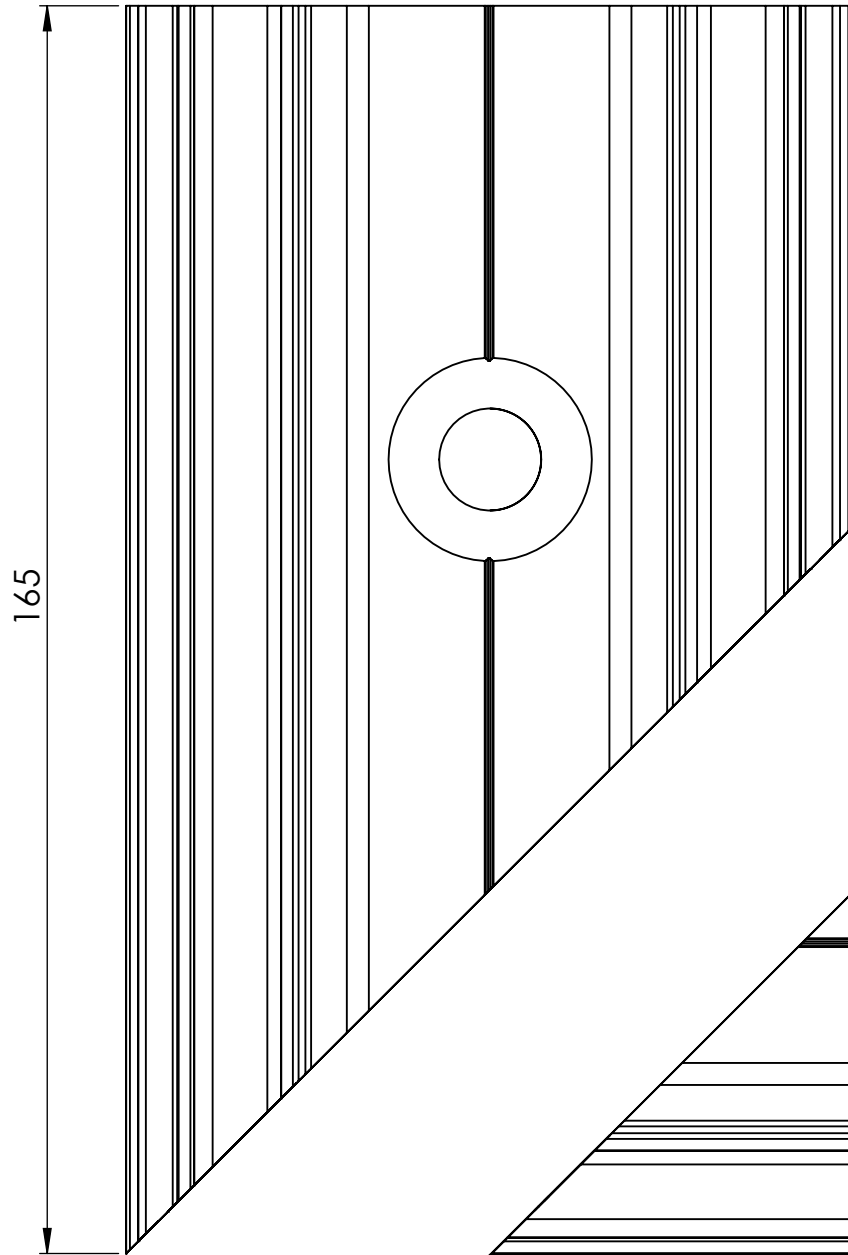
TITLE:
Megagrip 45 Degree
Corner Channel

DWG NO.

A4

SCALE:1:5

SHEET 5 OF 7



Purevista

TITLE:

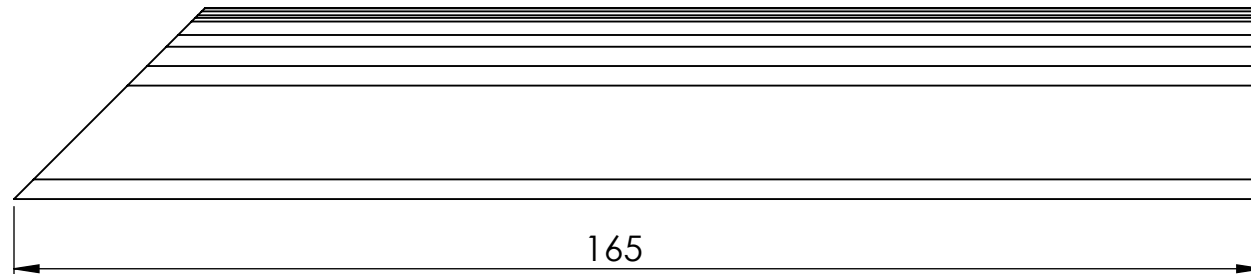
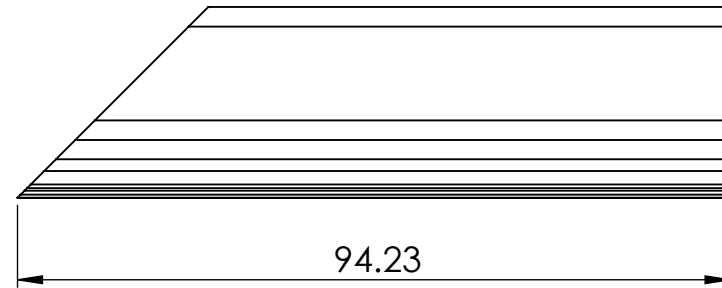
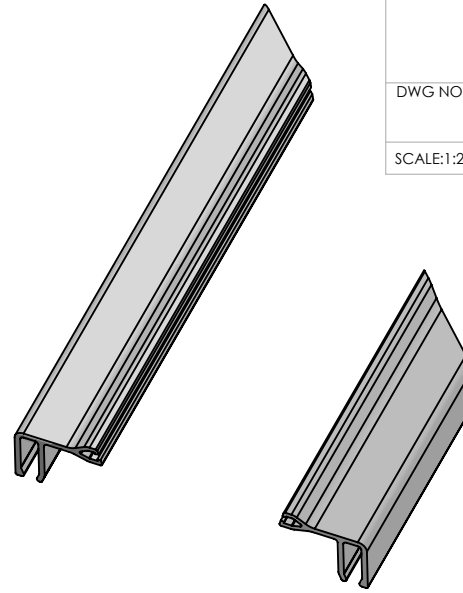
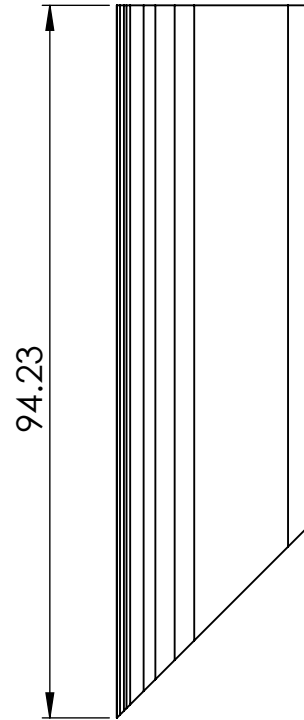
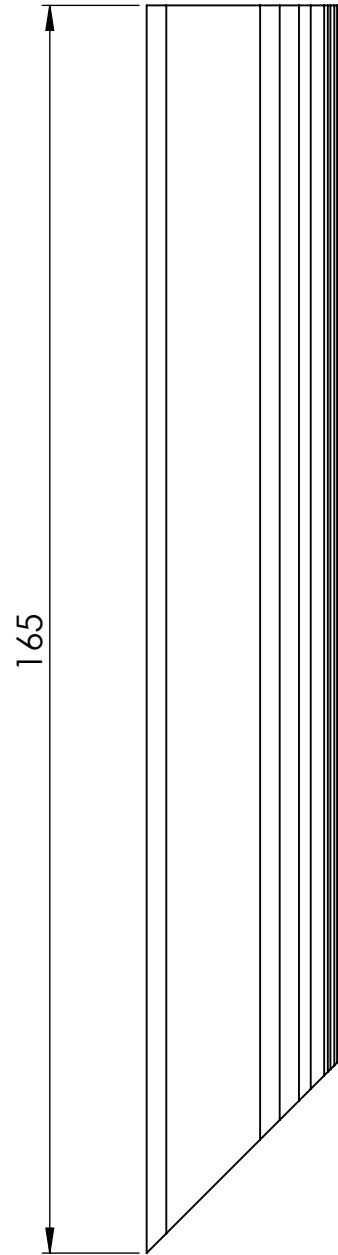
Megagrip Top Seals

DWG NO.

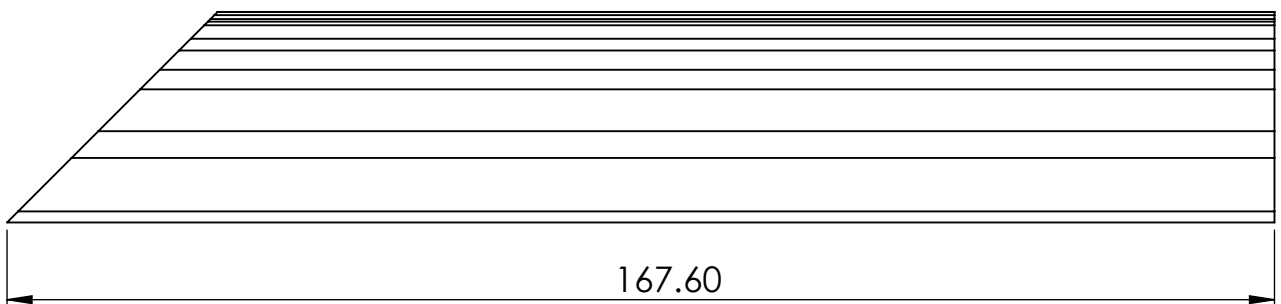
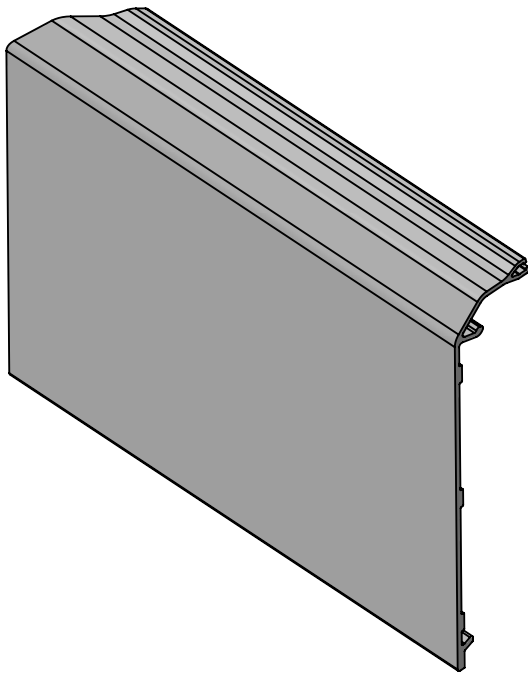
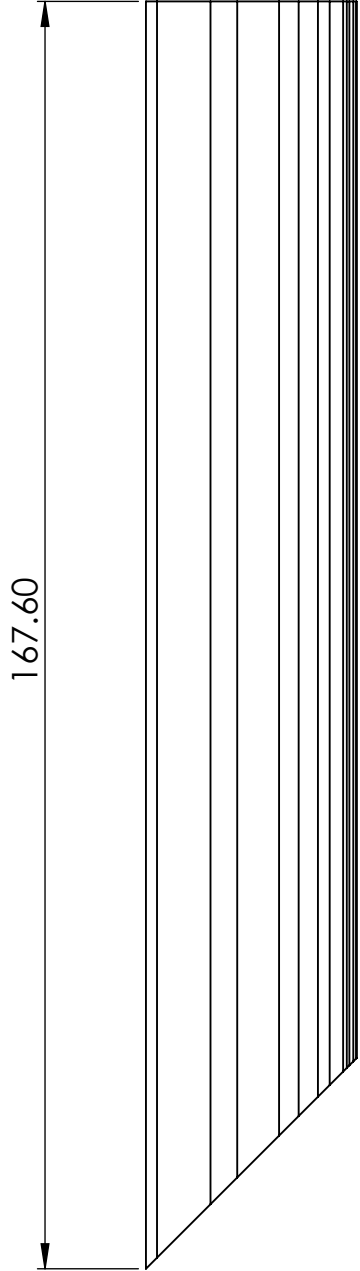
A4

SCALE:1:2

SHEET 6 OF 7



DO NOT SCALE DRAWING		REVISION
Purevista		
TITLE: Megagrip Side Cladding		
DWG NO.		A4
SCALE:1:2		SHEET 7 OF 7



Purevista

TITLE:

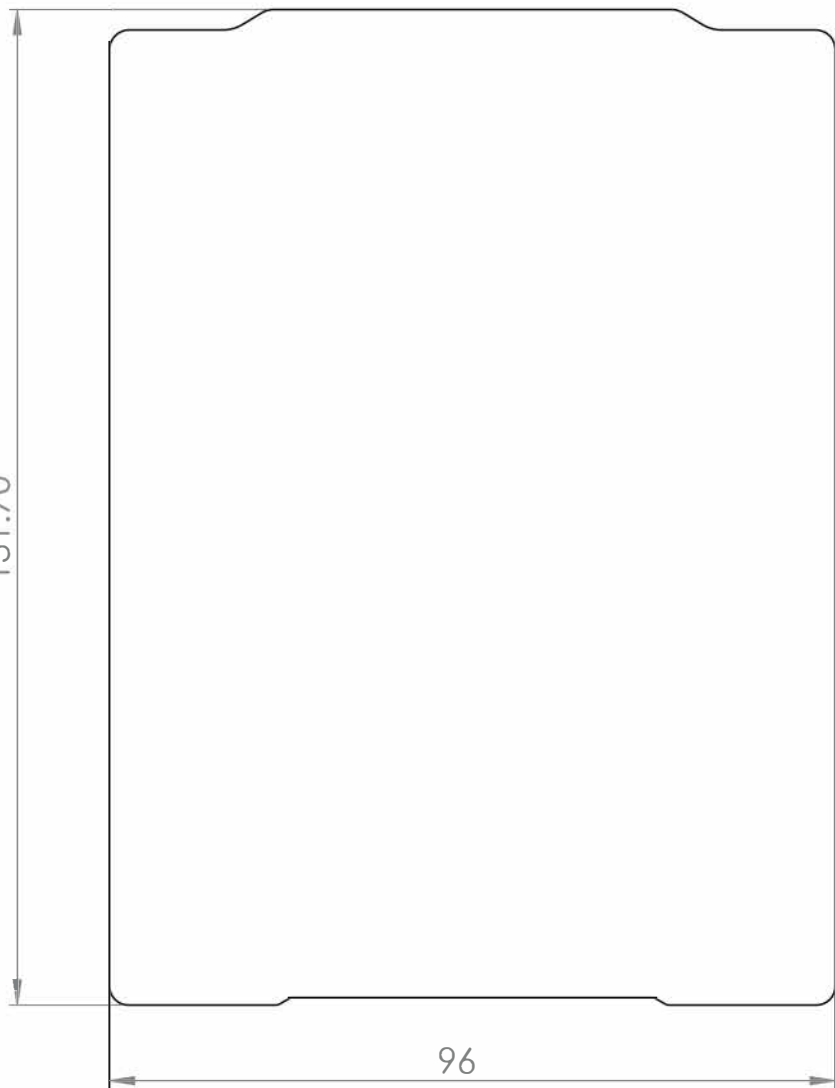
Megagrip Top Seal Endcap

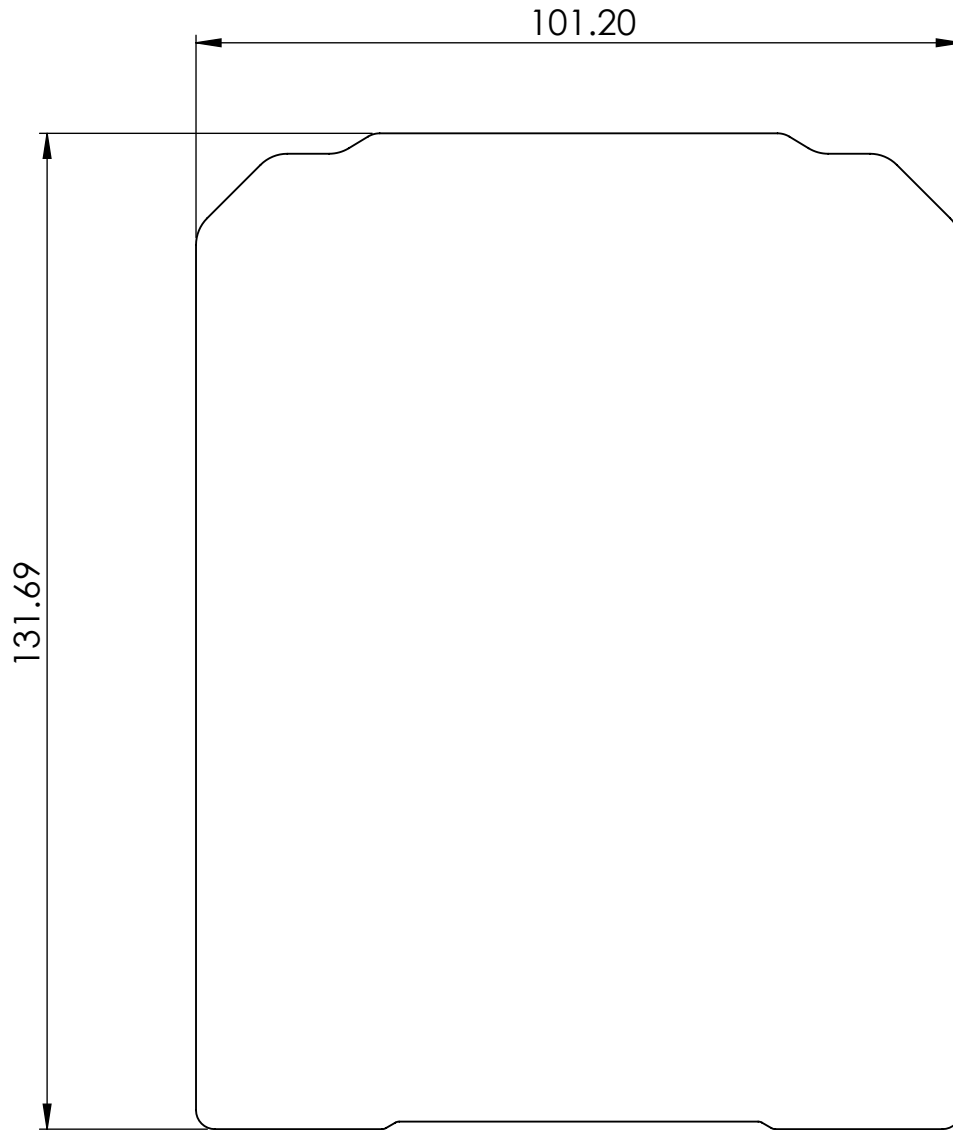
DWG NO.

A4

SCALE:1:1

SHEET 2 OF 2





DO NOT SCALE DRAWING		REVISION
Purevista		
TITLE: Megagrip Endplate		
DWG NO.		A4
SCALE:1:1		SHEET 1 OF 1

20 Gauge (0.9mm)
Brushed Stainless steel

DO NOT SCALE DRAWING

REVISION

Purevista

TITLE:

Megagrip Side Cladding Endcap

DWG NO.

A4

SCALE:1:1

SHEET 1 OF 2

3mm Aliminium

