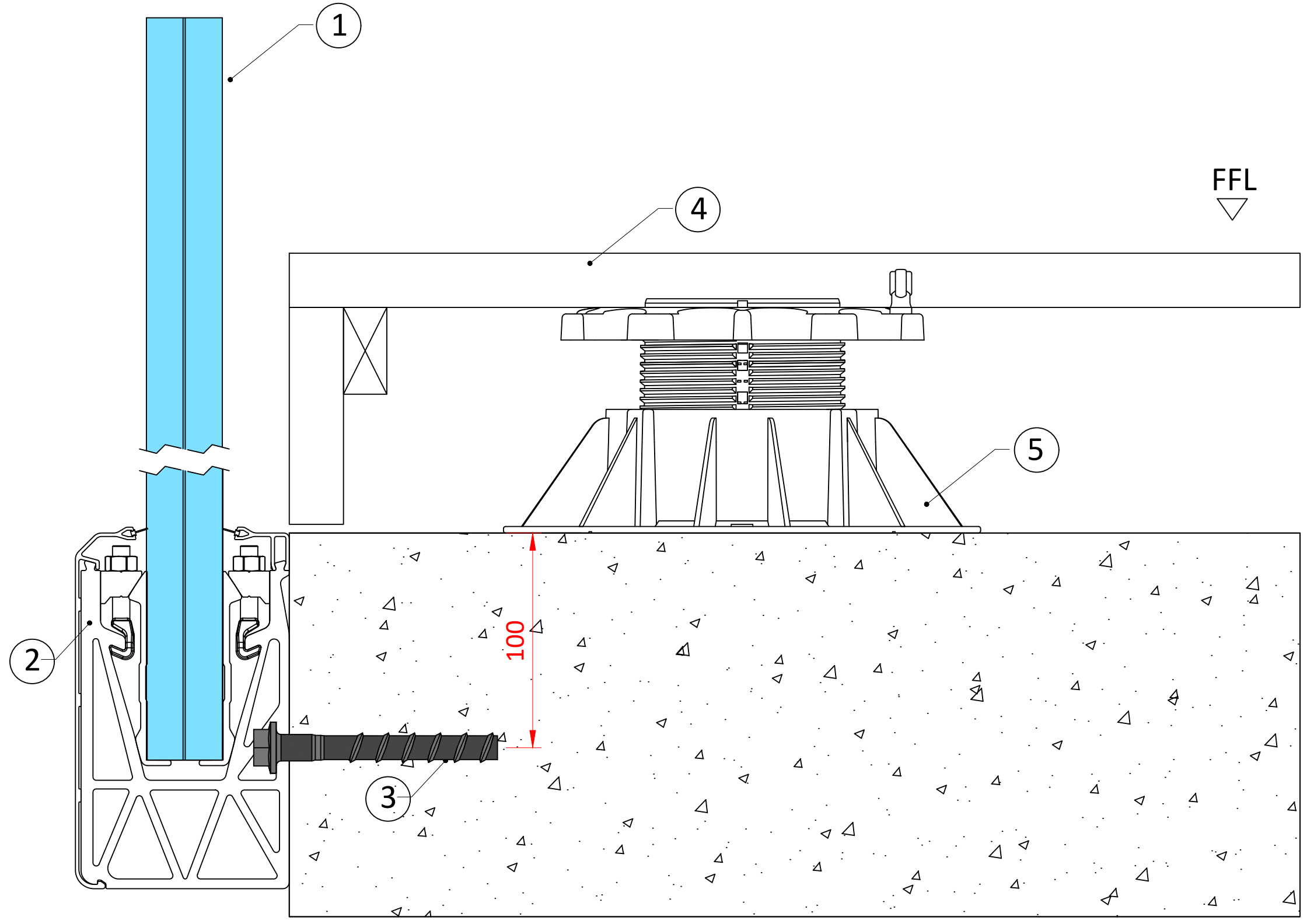


1 2 3 4 5 6

A  
B  
C  
D

- 1. Glass 25 - 33 mm
- 2. Mega Grip - Side Mount Channel
- 3. M12 Concrete Screw
- 4. Composite Decking Board
- 5. Adjustable Pedestals



Please Note:

This design is a suggested layout. We recommend make up to be confirmed by a structural Engineer.

|   |                     |
|---|---------------------|
| DO NOT SCALE DRAWING  | REVISION - ORIGINAL |
| TITLE: Mega Grip - Side Mount - Architectural Standard Detail |                     |
| PRODUCT CODE: PGC - 010                                       |                     |
| DATE DRAWN: 09/02/23  | DRAWN BY: SB        |
| SCALE: 1:1  | SHEET 1 OF 1        |

