

1 2 3 4 5 6

A

B

C

D

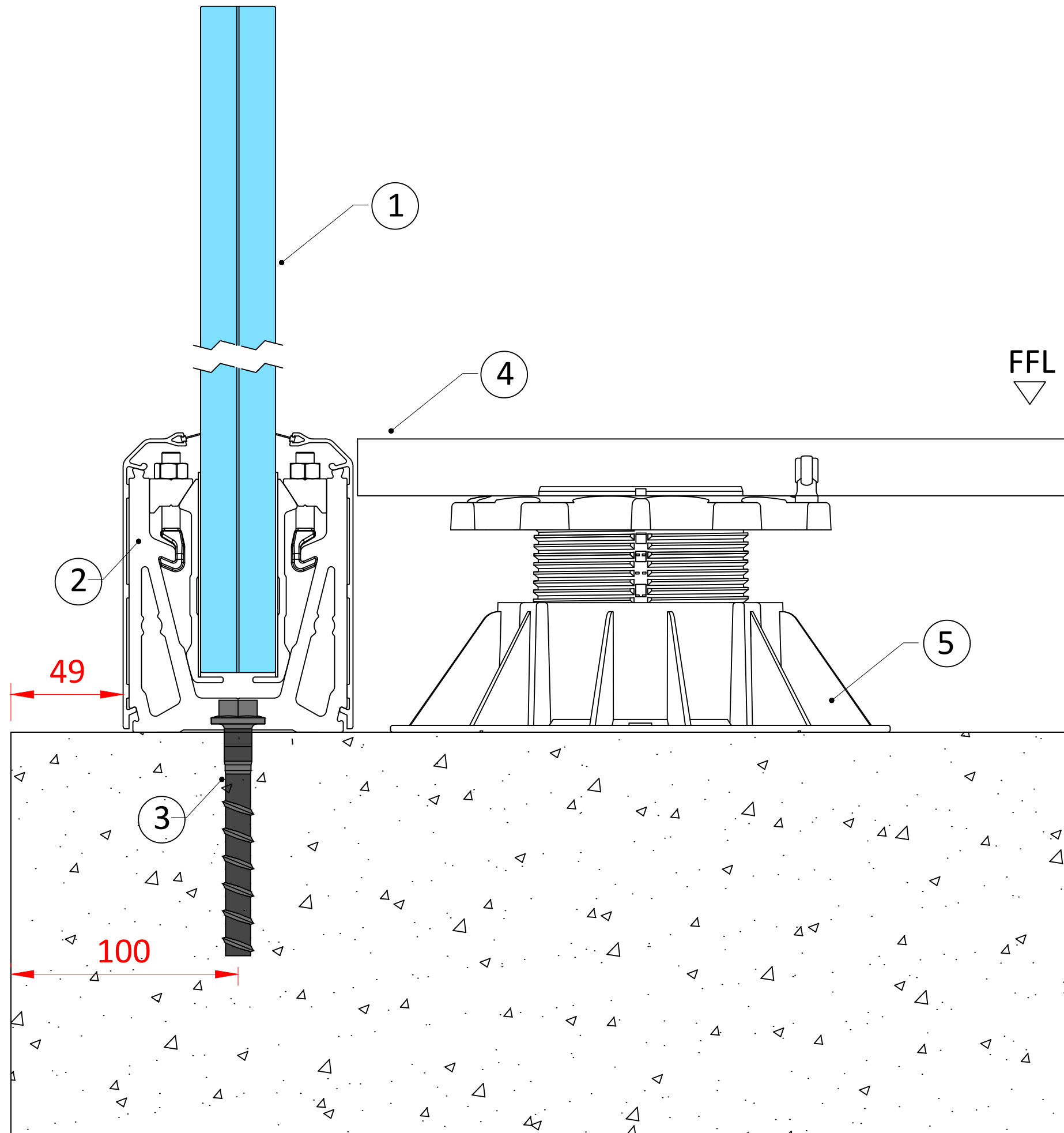
A

B

C

D

1. Glass 25 - 33 mm
2. Mega Grip - Top Mount Channel
3. M12 Concrete Screw
4. Composite Decking Board
5. Adjustable Pedestals



Please Note:

This design is a suggested layout. We recommend make up to be confirmed by a structural Engineer.

DO NOT SCALE DRAWING	REVISION - ORIGINAL
TITLE: Mega Grip - Top Mount - Architectural Standard Detail	
PRODUCT CODE: MGC - 010	
DATE DRAWN: 09/02/23	DRAWN BY: SB
SCALE: 1:1	SHEET 1 OF 1

