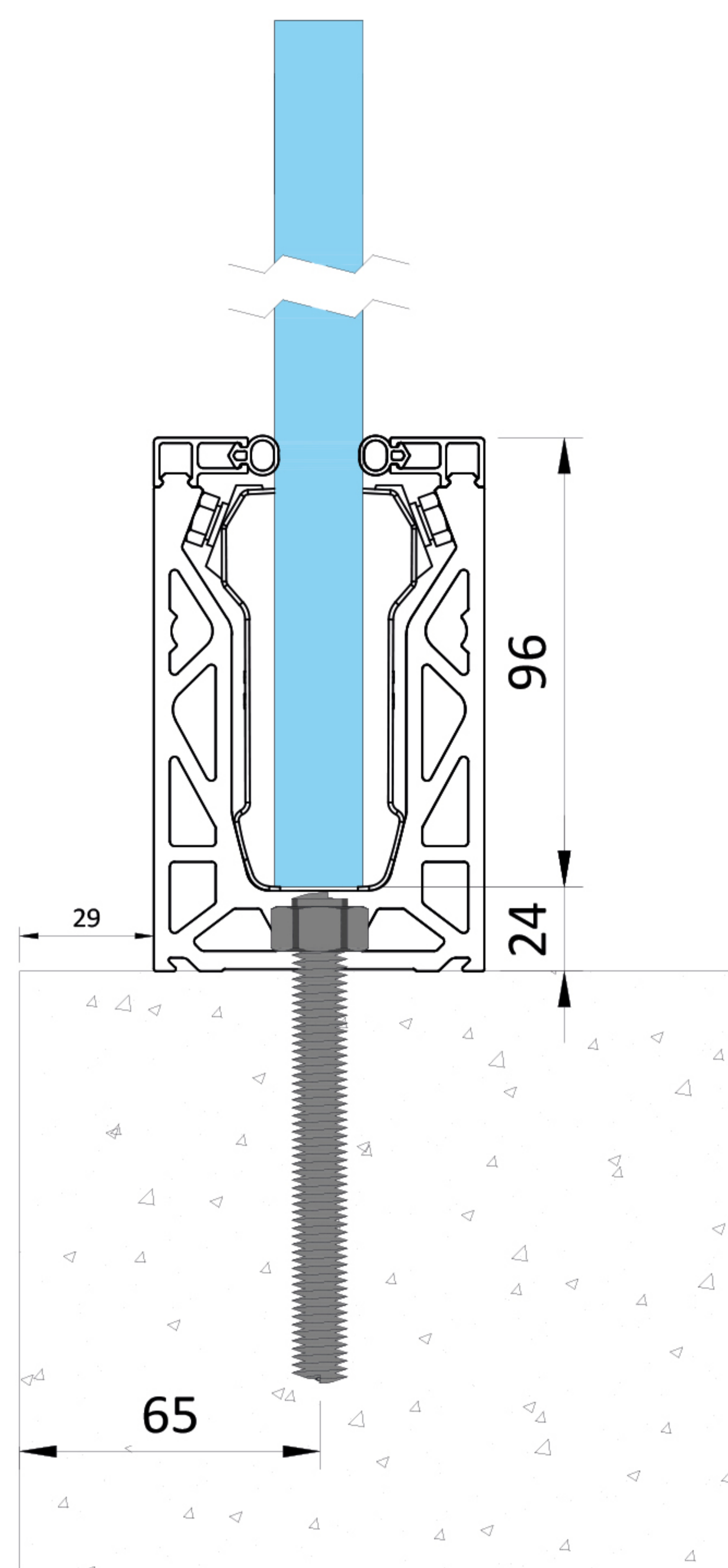
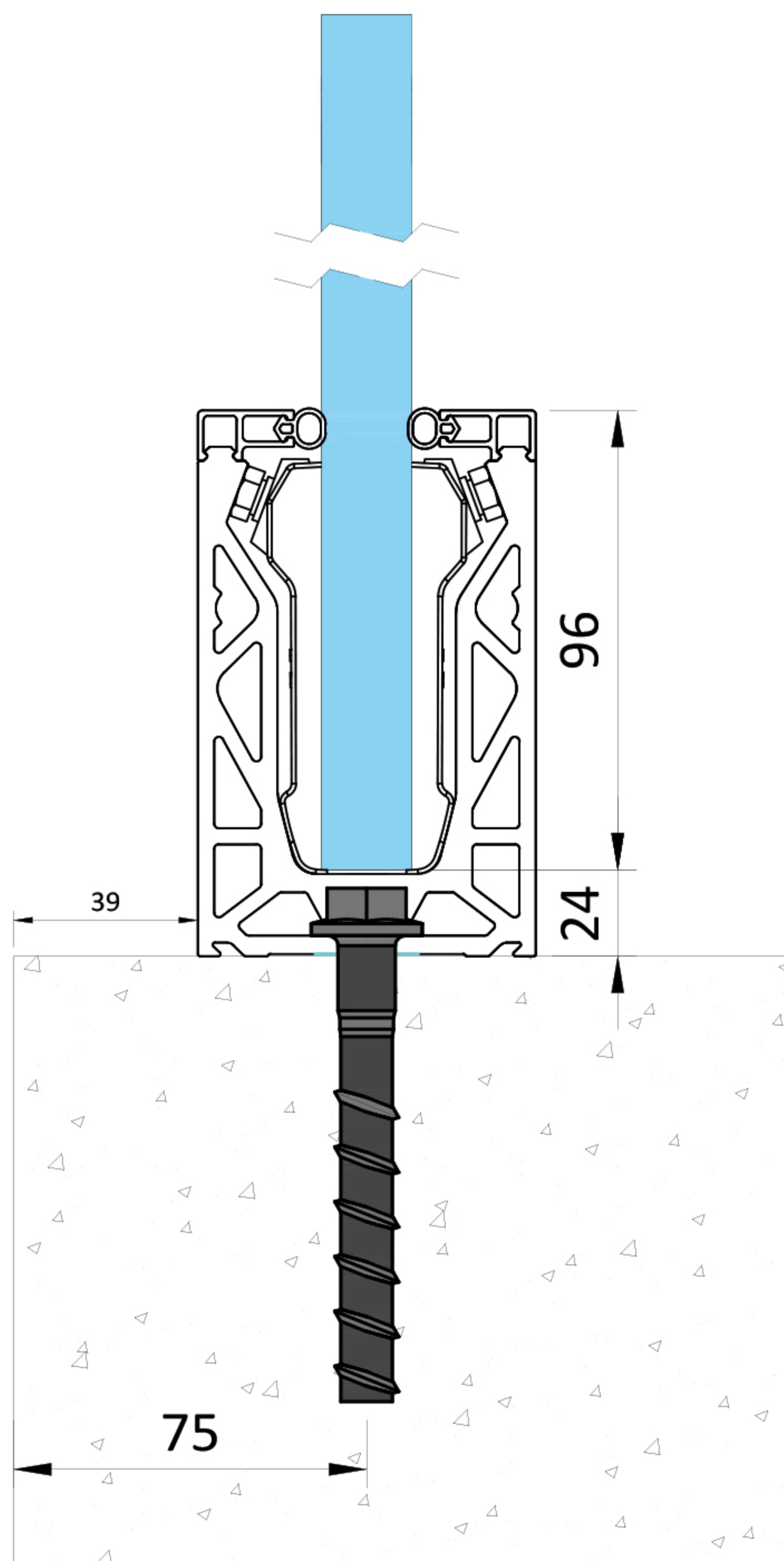


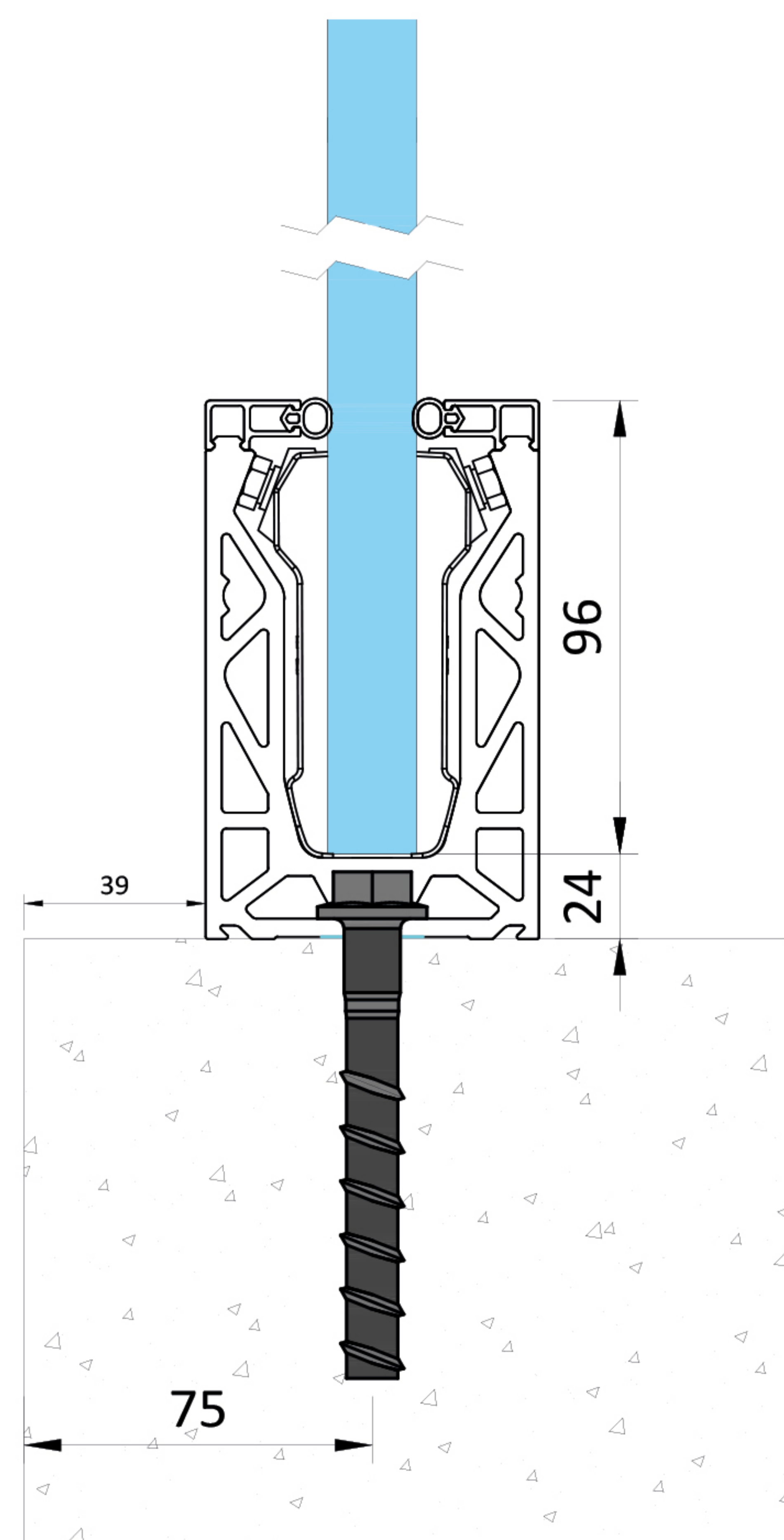
Posi Glaze - 0.74 kN - Resin Anchor



Posi Glaze - 1.5 kN - Resin Anchor



Posi Glaze - 0.74 kN - Concrete Screw



Posi Glaze - 1.5 kN - Concrete Screw