

1 2 3 4 5 6

A

B

C

D

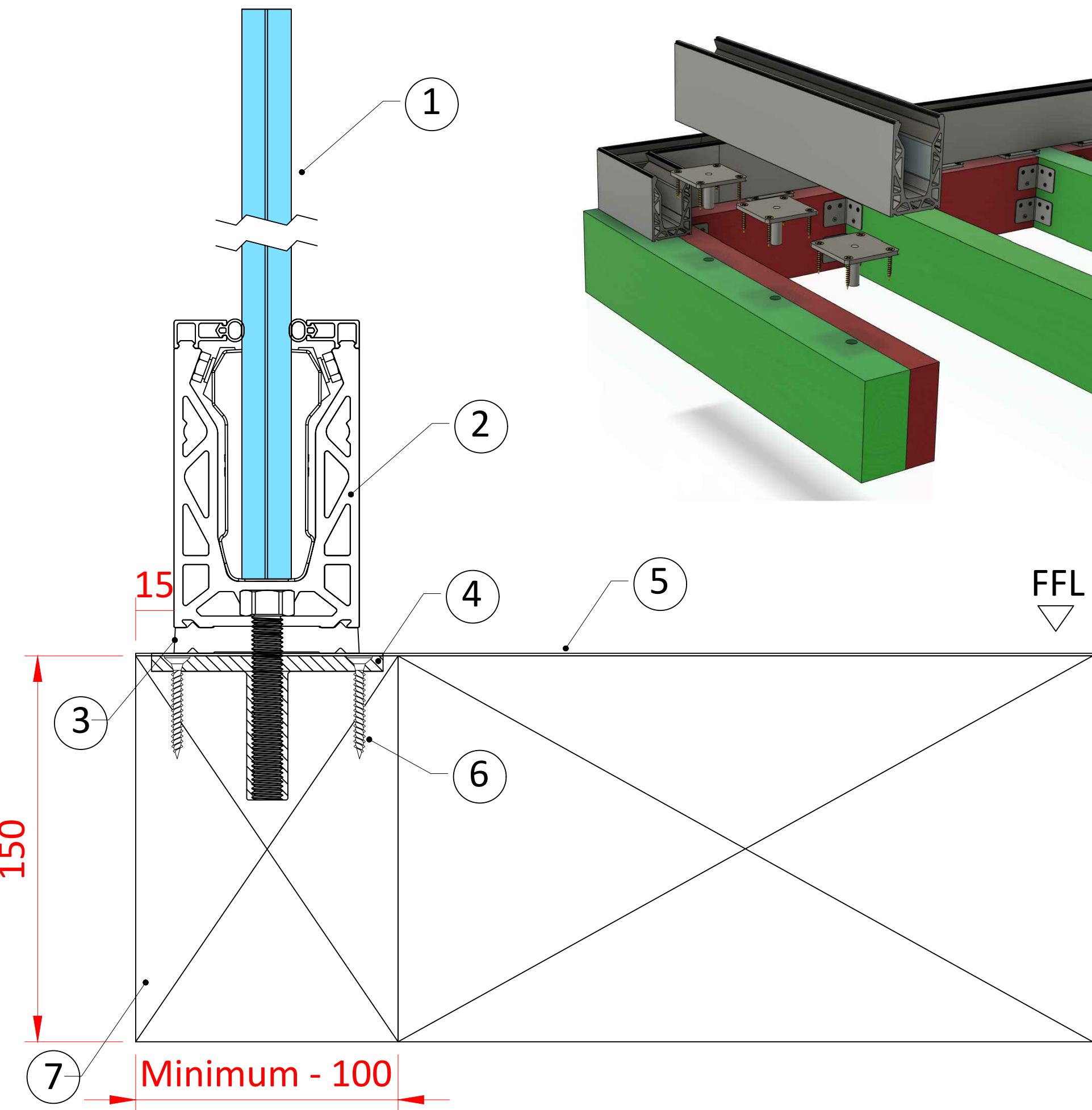
A

B

C

D

1. Glass 12 - 21.5 mm
2. Posi Glaze - Top Mount Channel
3. Balcony Seal Kit
4. Timber Fixing Plate
5. Damp Proof Membrane
6. Timber Screws
7. 100 x 150 mm - Timber Beam



Please Note:

This design is a suggested layout. We recommend make up to be confirmed by a structural Engineer.

DO NOT SCALE DRAWING	REVISION - ORIGINAL
TITLE: Posi Glaze - Top Mount - Architectural Standard Detail	
PRODUCT CODE: PGC - 010	
DATE DRAWN: 09/02/23	DRAWN BY: SB
SCALE: 1:1	SHEET 1 OF 1

