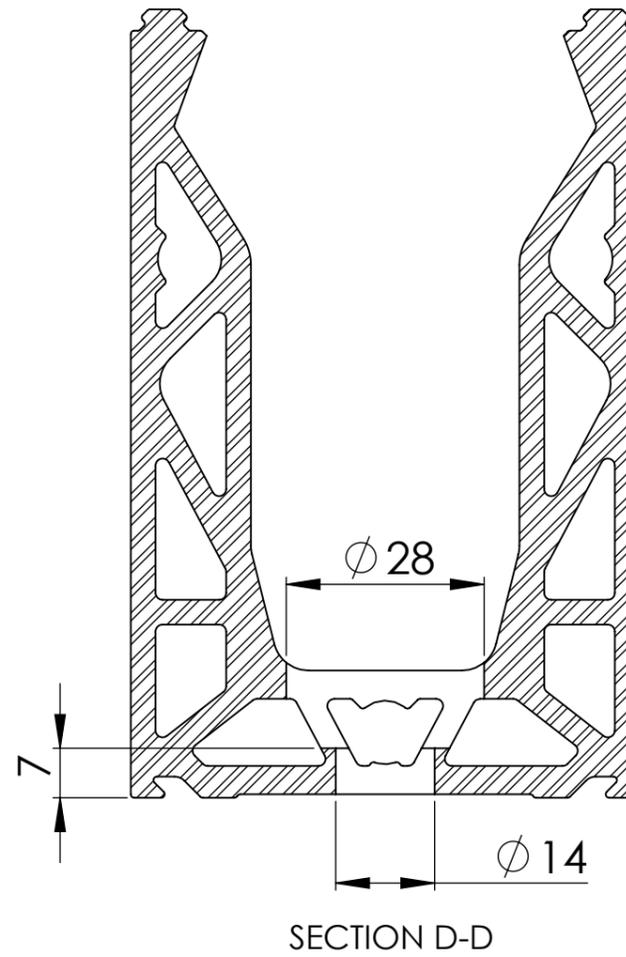
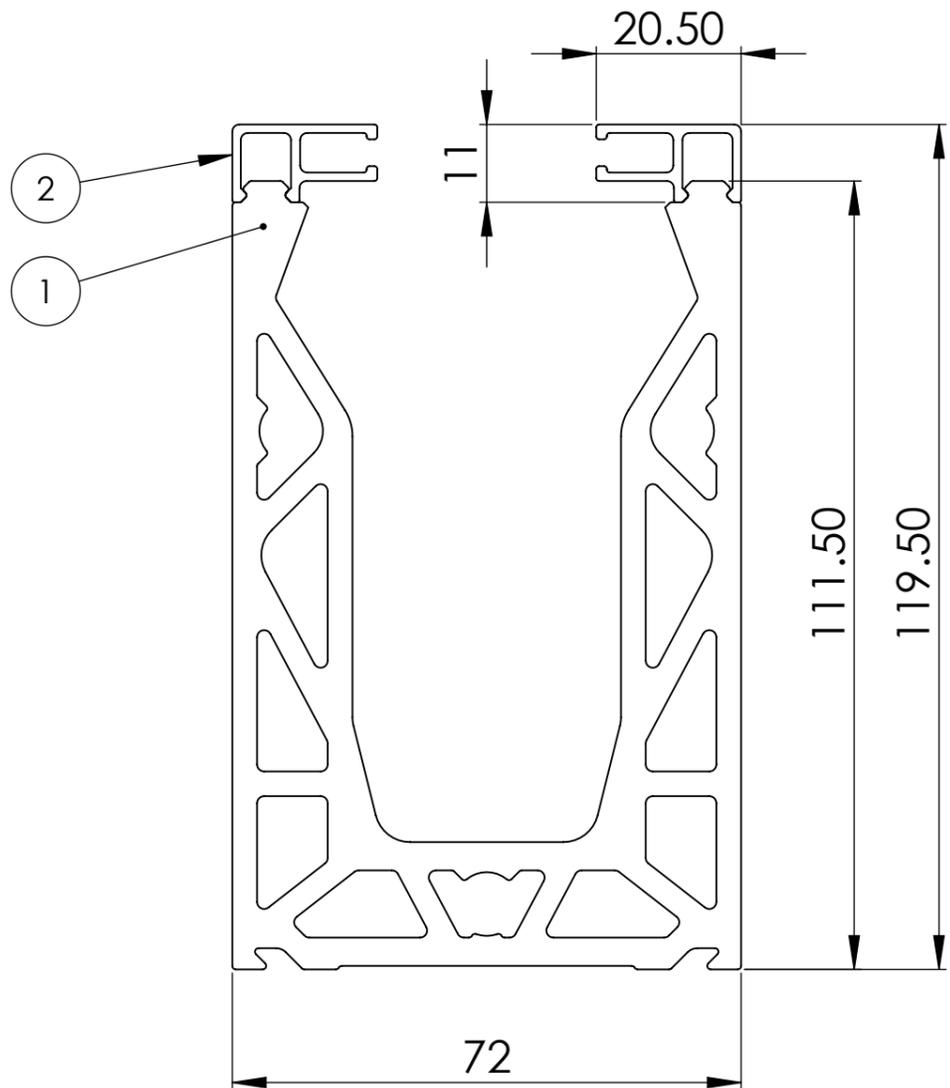
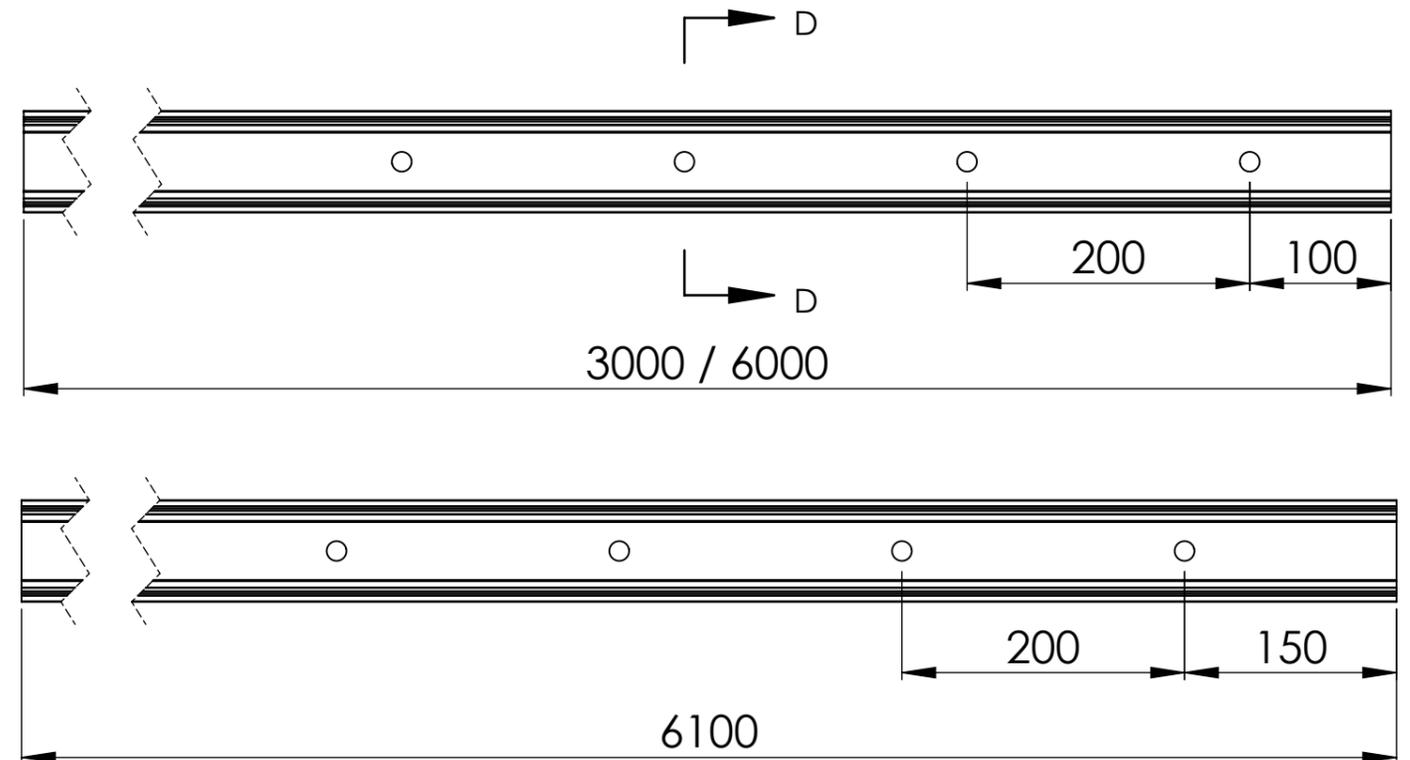


**Posi-Glaze Base Drilled Channel
Top Bead (2)**

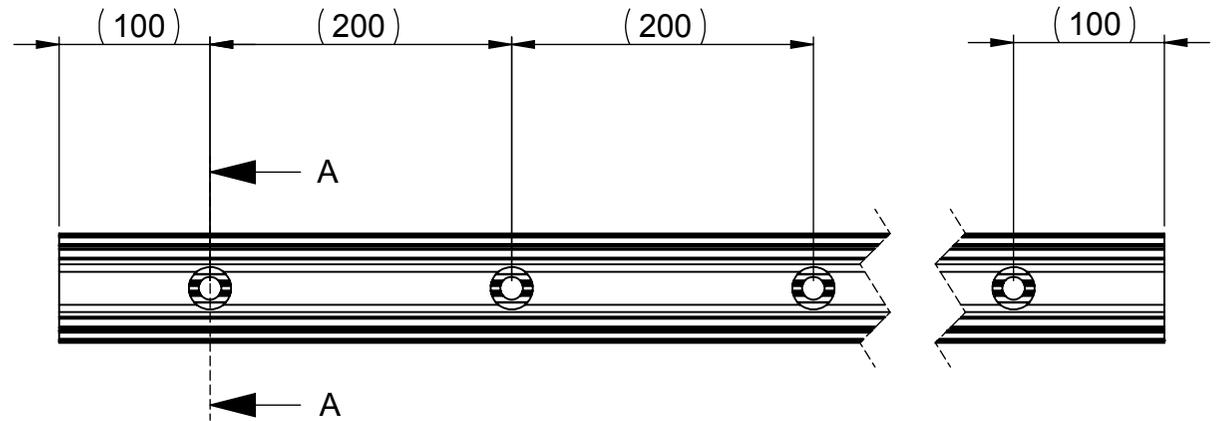
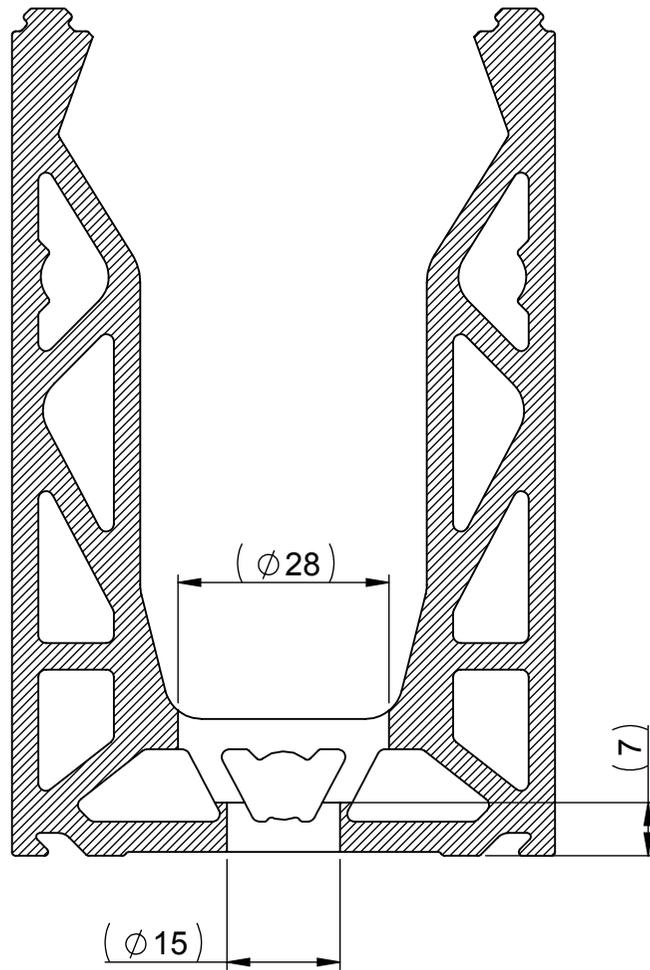
DO NOT SCALE
Units - Millimetres

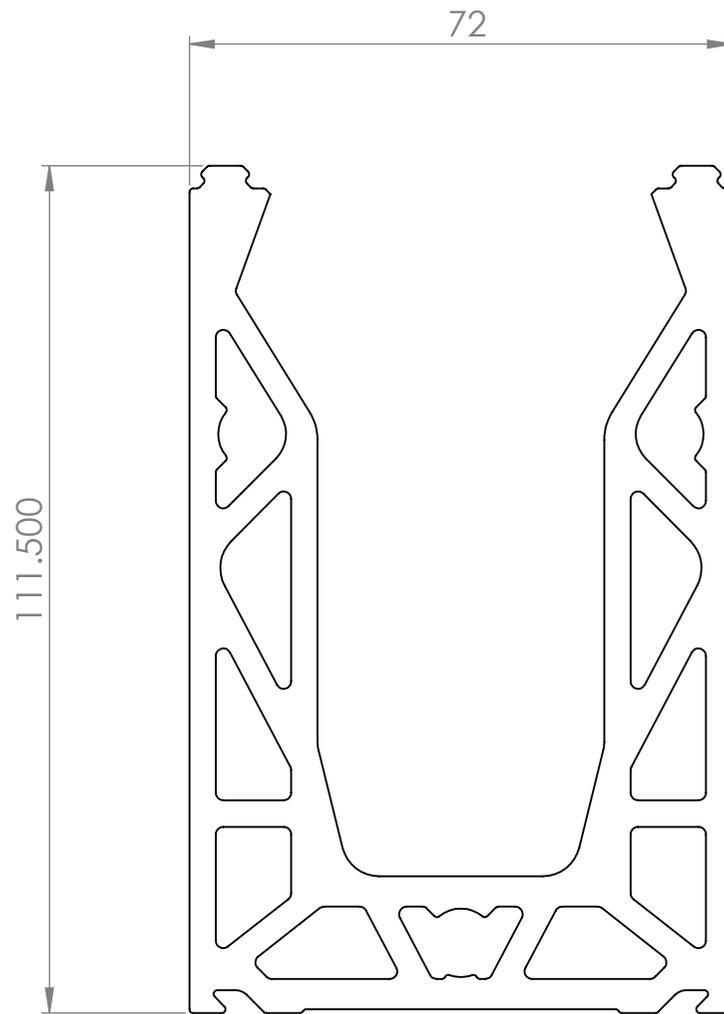


Bolt Hole
Positioning



DO NOT SCALE DRAWING	REVISION
Purevista	
TITLE: G2623 Channel Base Drilling	
DWG NO.	A4
SCALE:1:10	





DO NOT SCALE DRAWING	REVISION	Rev A
Purevista		
TITLE: Channel Profile		
DWG NO.	17/05/2012	A4
SCALE:1:1		

DO NOT SCALE DRAWING

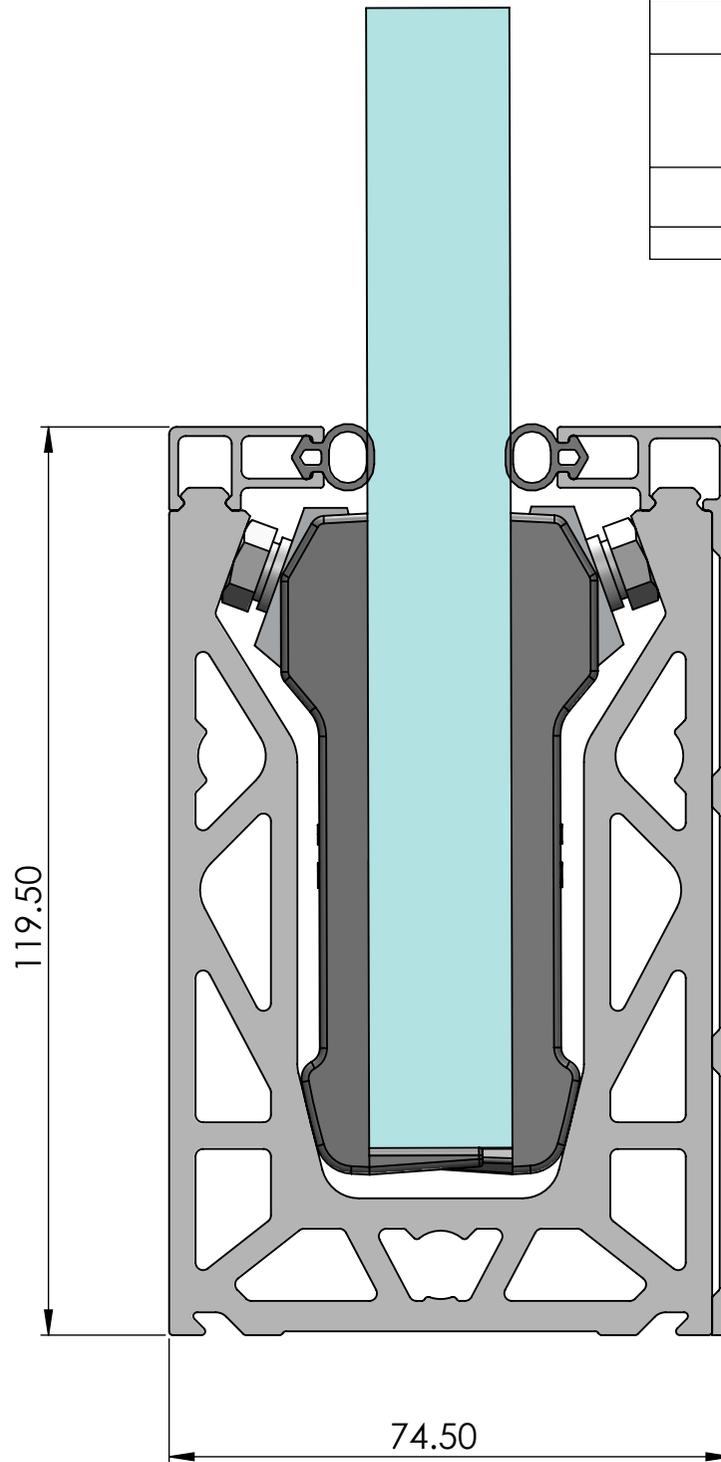
REVISION

Purevista

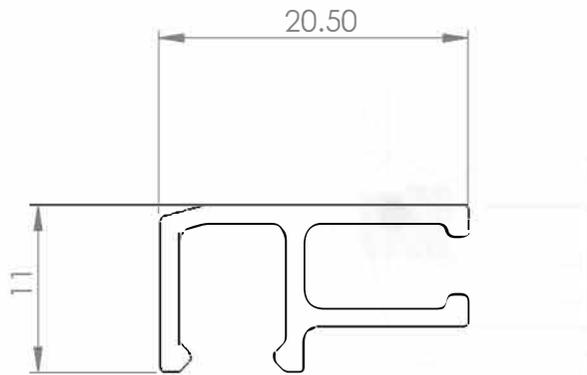
Posiglaze with Side Cladding
& Top Seal

25-10-16

A4



DO NOT SCALE DRAWING		REVISION
Pure Vista		
TITLE: Top Bead		
DWG NO.		A4
SCALE:1:1		

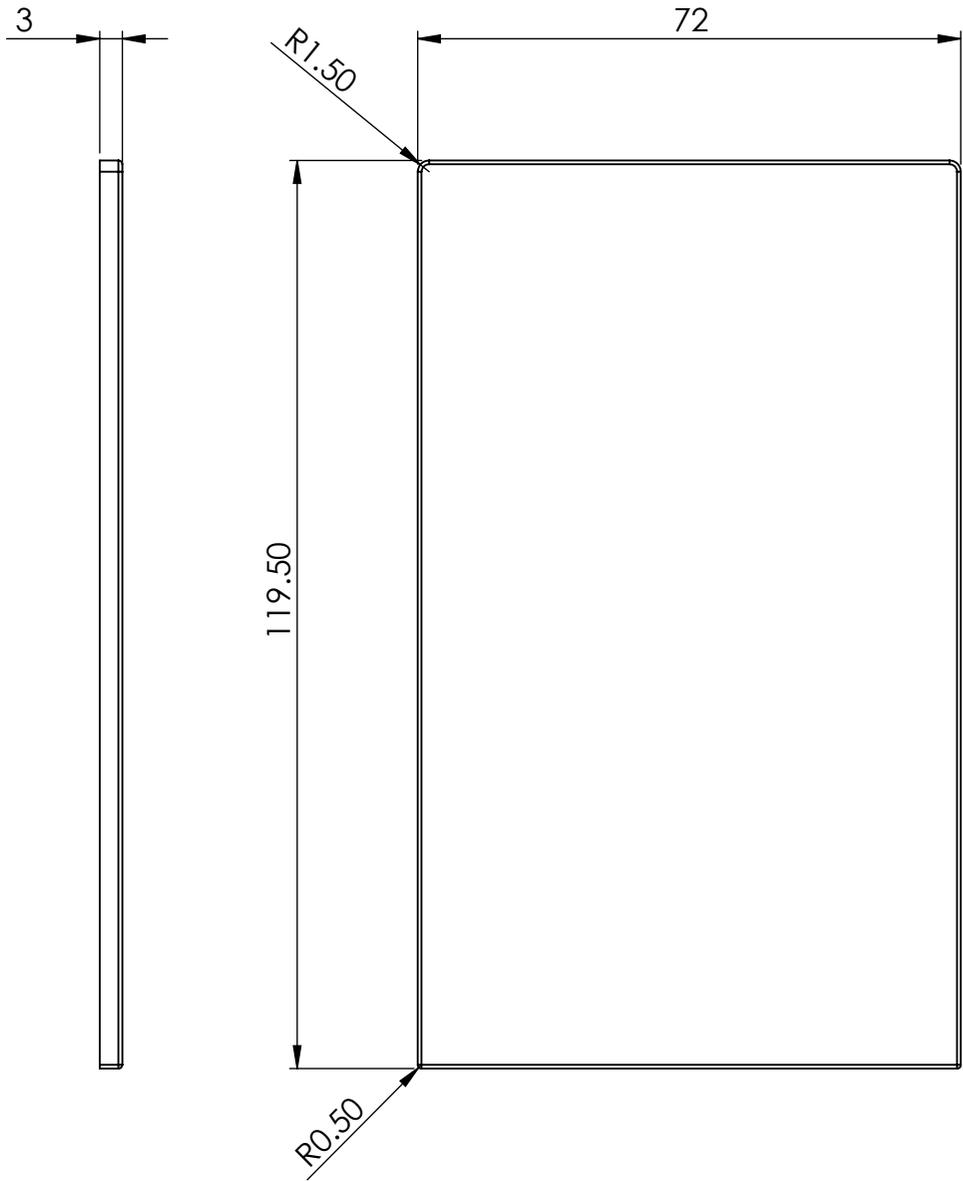


2:1 Actual Size

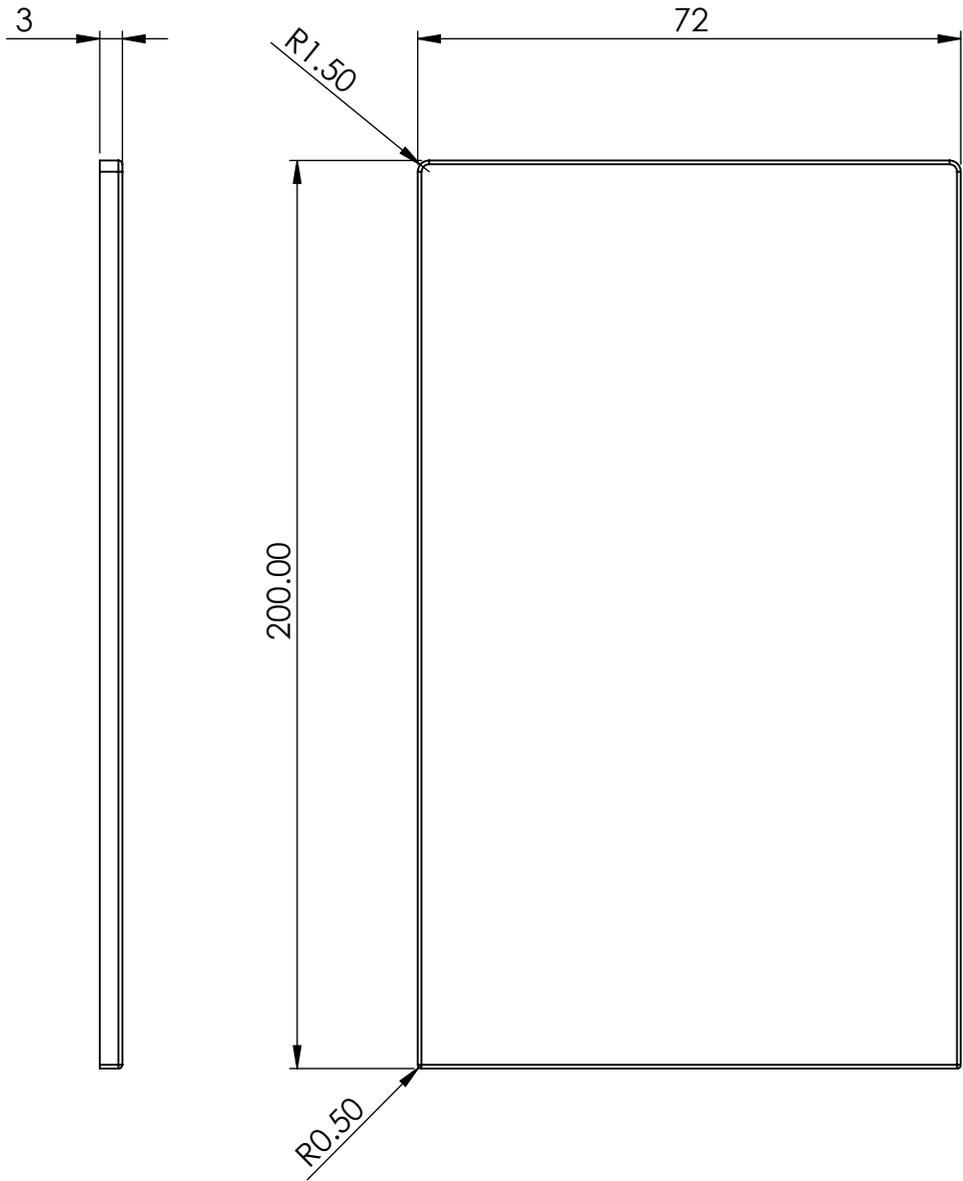


1:1 Actual Size

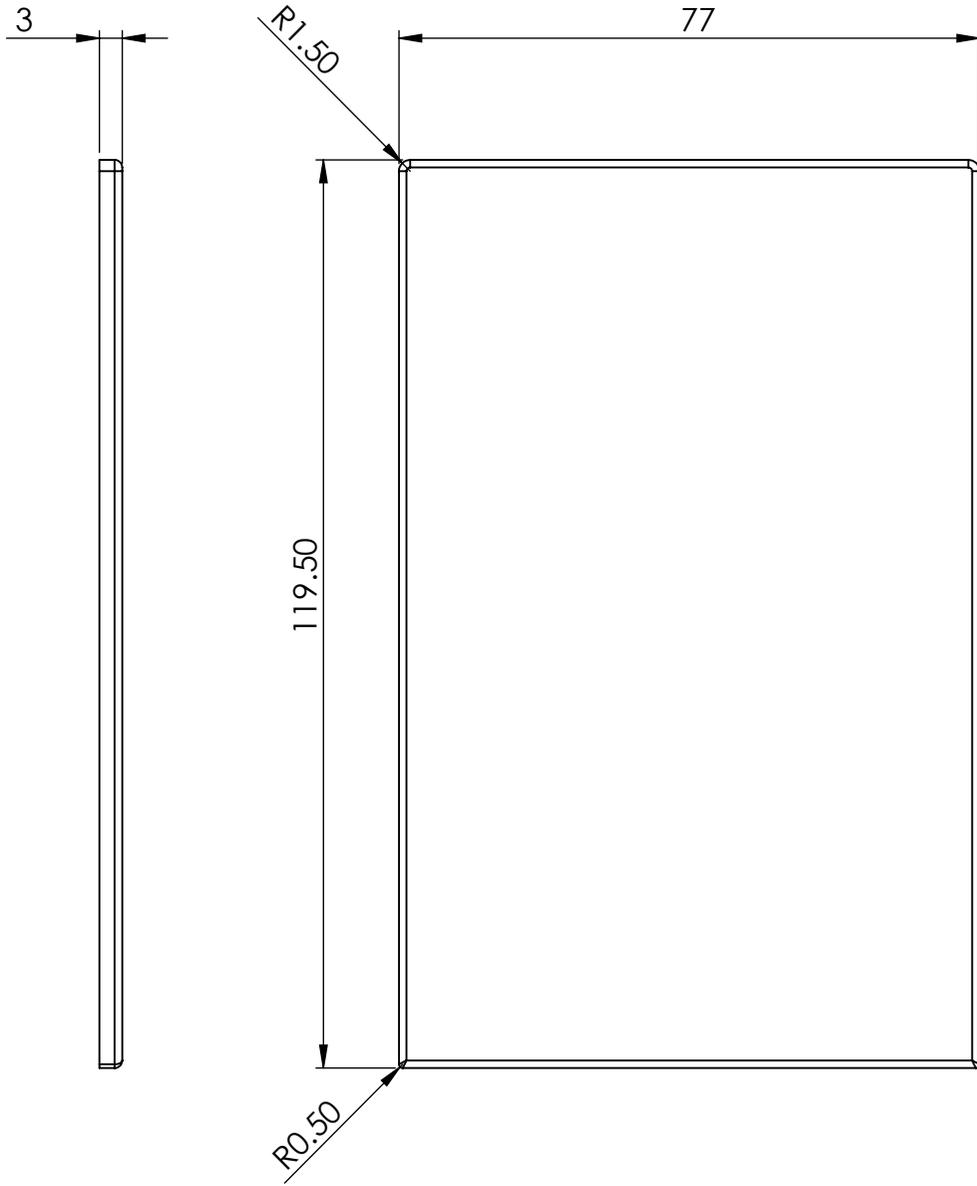
**Aluminium 6063-T6
Weight 179.73grams
per linear meter**



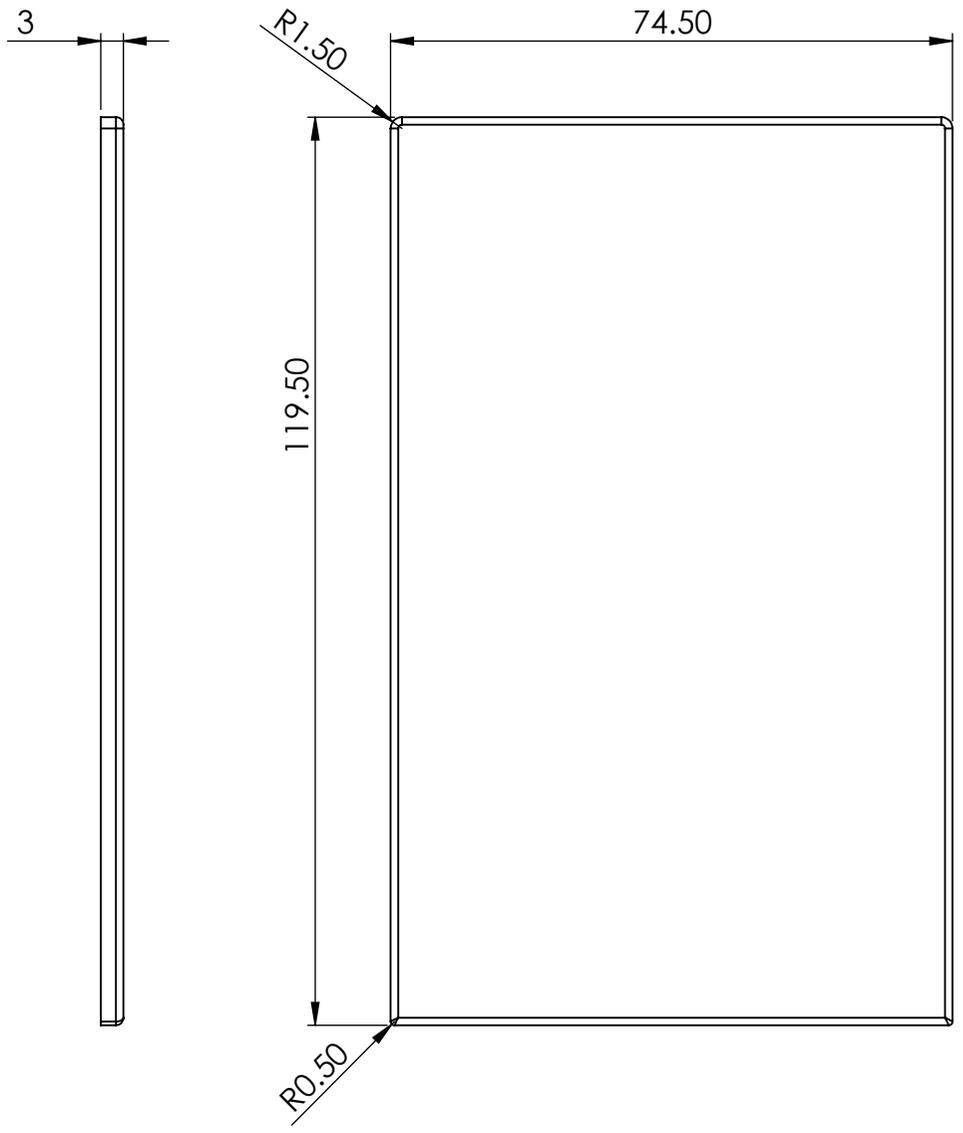
DO NOT SCALE DRAWING		REVISION	
Purevista			
TITLE: Channel End Cap			
DWG NO.			A4
SCALE:1:1			



DO NOT SCALE DRAWING	REVISION
Purevista	
TITLE: Elongated Channel End Cap	
DWG NO.	A4
SCALE:1:1	



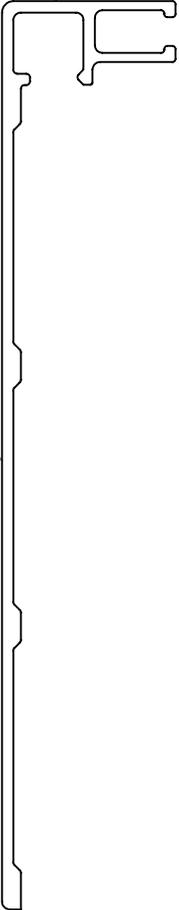
DO NOT SCALE DRAWING	REVISION
Purevista	
TITLE: Side Cladding End Cap	
DWG NO.	A4
SCALE:1:1	



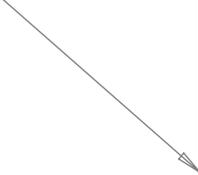
DO NOT SCALE DRAWING	REVISION
Purevista	
TITLE: One Side Cladding End Cap	
DWG NO.	A4
SCALE:1:1	

DO NOT SCALE DRAWING	REVISION
Purevista	
TITLE: G2683 Side Cladding Profile	
DWG NO.	A4
SCALE:1:1	

Polish and Stainless Steel Anodise

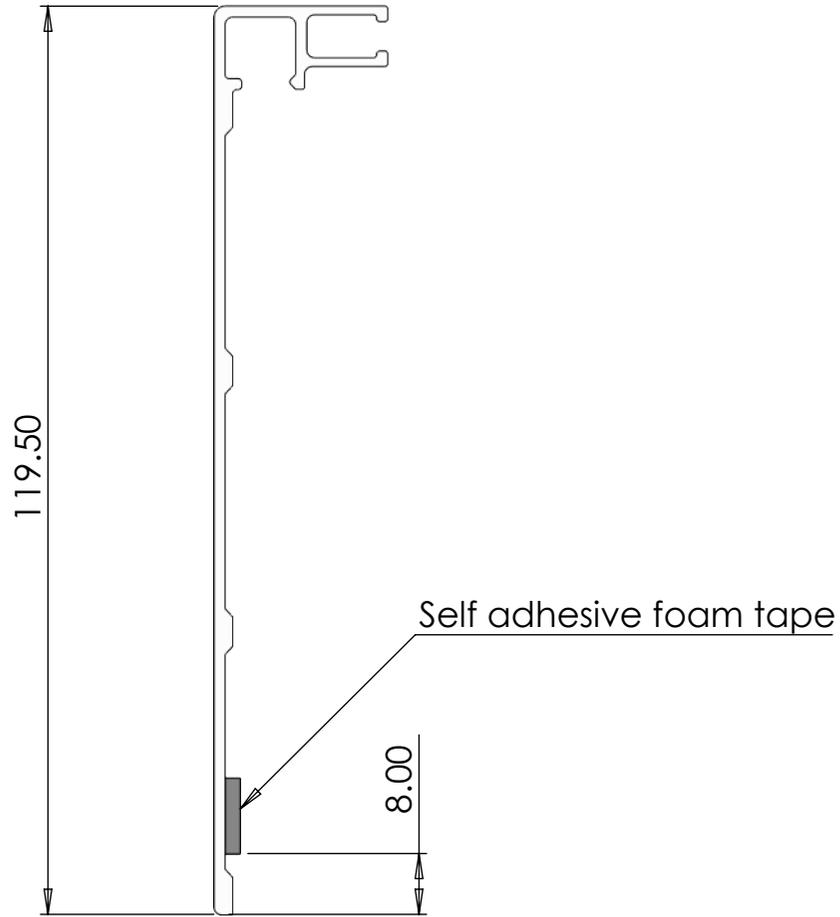


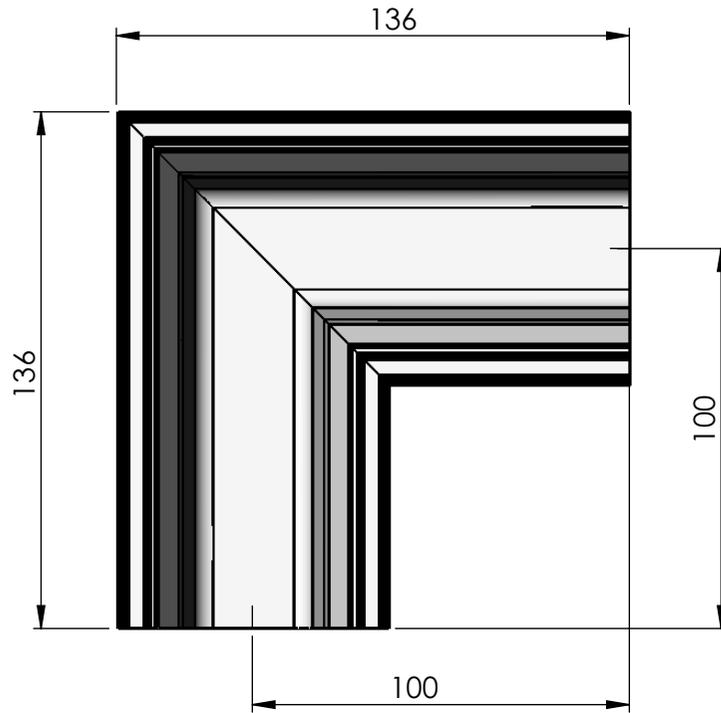
Polish and Stainless Steel Anodise



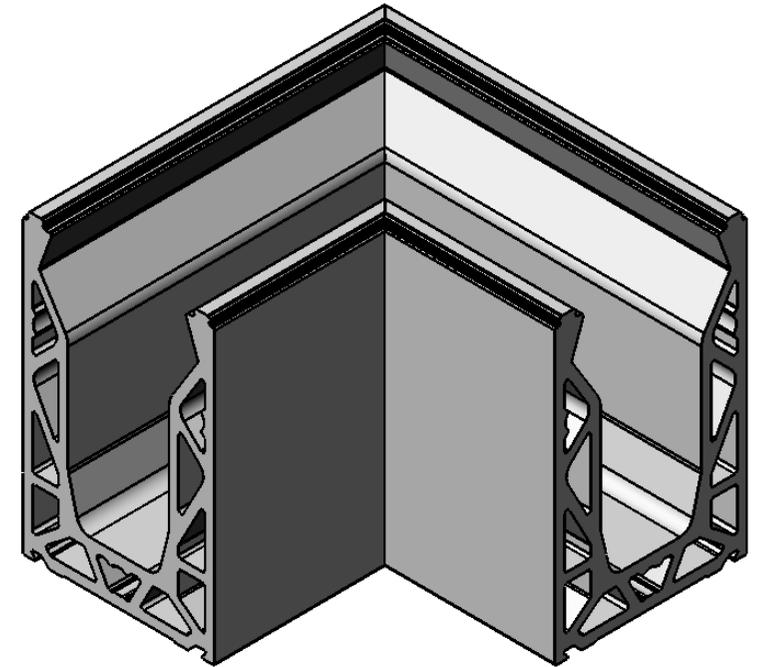
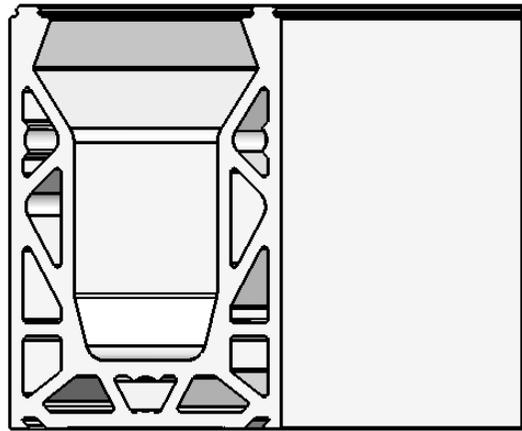
Side Cladding Profile
6063-T6

DO NOT SCALE DRAWING		REVISION
Purevista		
TITLE: Posiglaze Side Cladding		
DWG NO.	28-09-21	A4
SCALE:1:10	SHEET 2 OF 2	





DO NOT SCALE DRAWING	REVISION
Purevista	
TITLE: 90 Degree Angle Assembly	
DWG NO.	A4
SCALE:1:2	



1

2

3

4

5

6

A

B

C

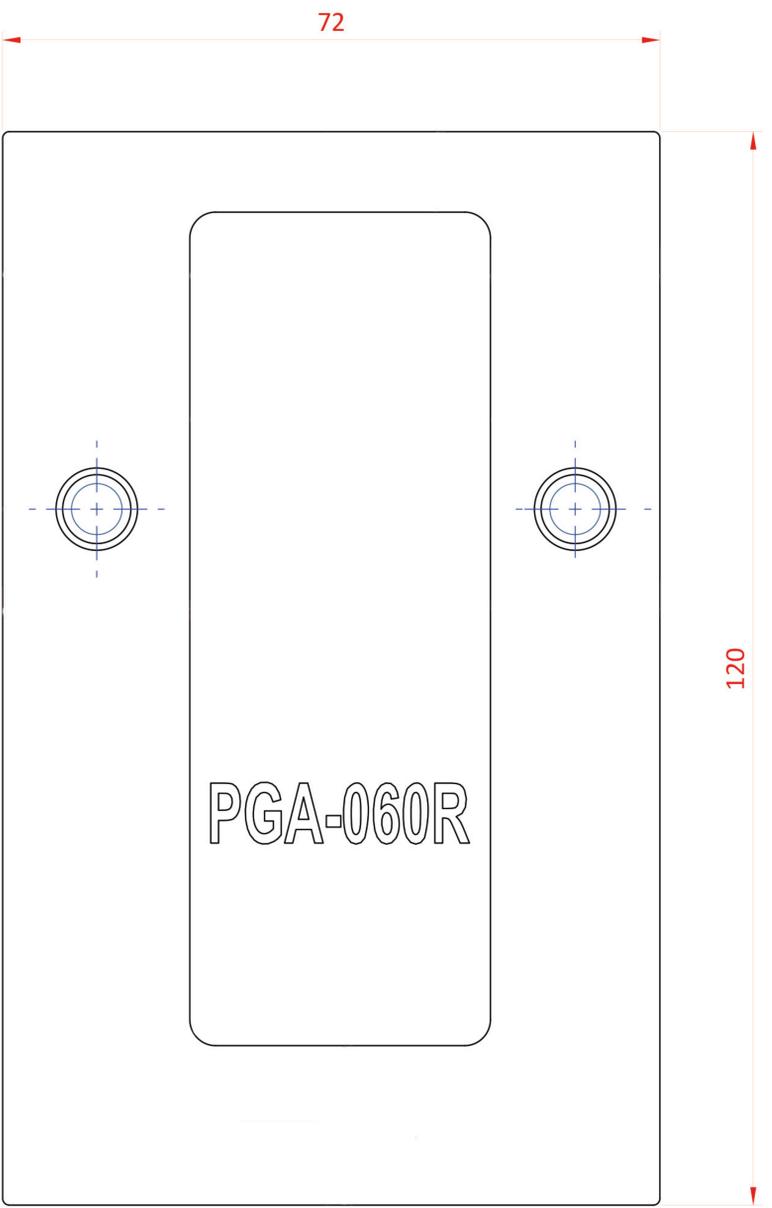
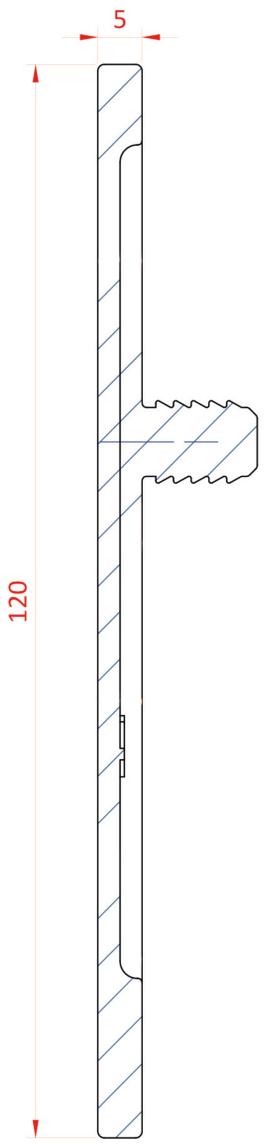
D

A

B

C

D



DO NOT SCALE DRAWING	REVISION - ORIGINAL
TITLE: Posi Glaze - Knock in Endcaps	
PRODUCT CODE: RH: PGA-060R - LH: PGA-060L	
DATE DRAWN: 19/12/22	DRAWN BY: SB
SCALE: 1:1	

