



POSIONE

SIDE MOUNT INSTALLATION GUIDE

Safety

Gloves for handling Glass
Eye protection goggles
Ear protection

Tools

Drill & suitable drill bits
Spirit level
Tape measure
Hole blower (concrete fixings)
Hammer
Socket set 1/2inch
Torque wrench 1/2
Blocks to support glass
Quick grip
POSI Spanner
Glass cleaner and rag

Should any problems arise or you have any questions
please don't hesitate to contact us:

T: +44 (0)1208 261 040

F: +44 (0)1208 261 041

E:- sales@pure-vista.com

www.pure-vista.co



POSIONE

INSTALLATION GUIDE

BOLT & BAR

CLAMP

SLIDER

ISOLATOR

**RIGID OUTER
BEAD**

**TOP BEAD &
GASKET**

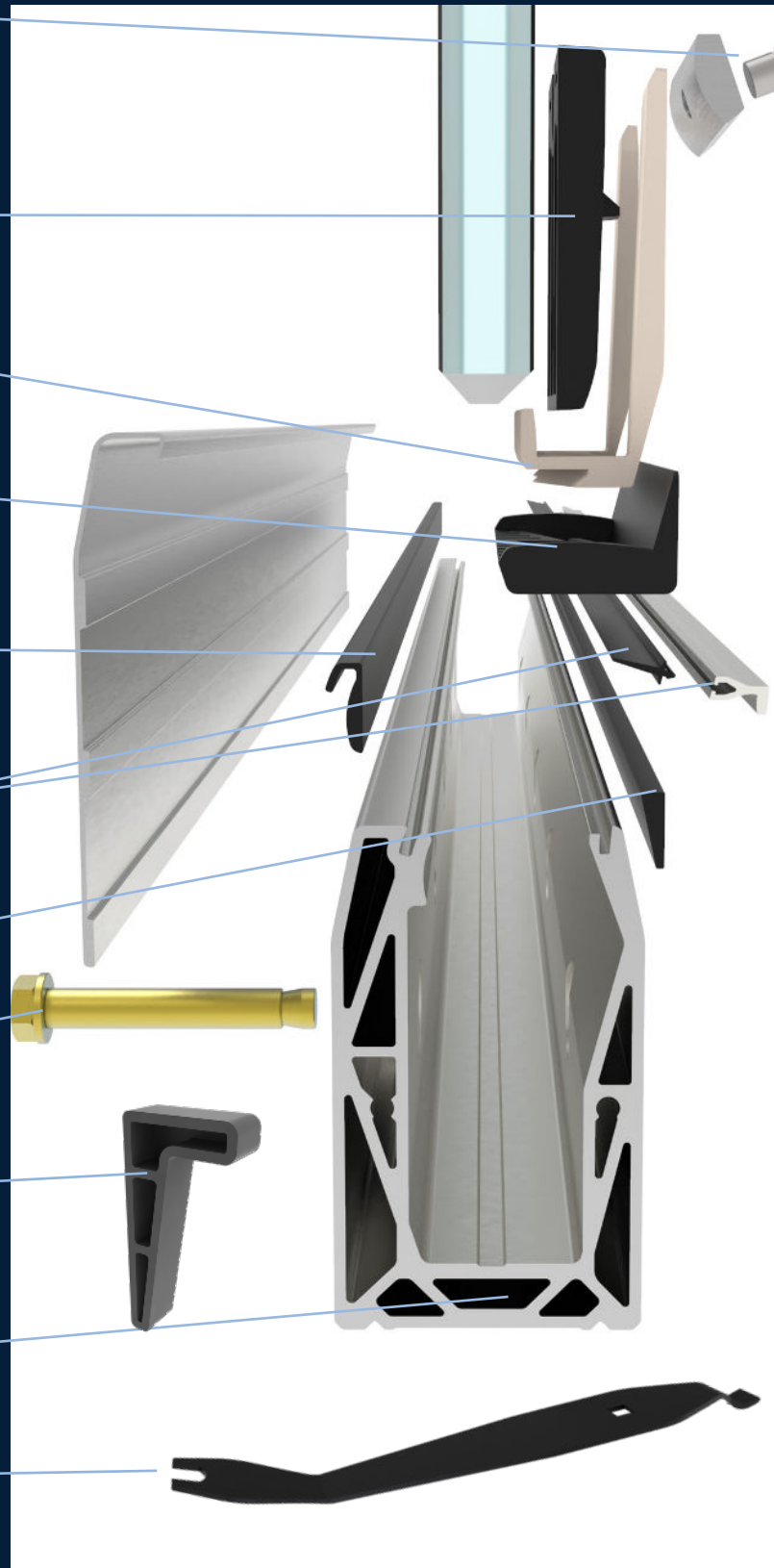
**WEDGE
SPACER**

BOLT

WEDGE TOOL

**POSIONE
CHANNEL**

SPANNER



POSIONE

INSTALLATION GUIDE

1.



Fix the channel to the substrate using M12 bolts. Make sure the channel is fitted with the widest side closest to the outside edge.

2.



Place the wedge spacer to gap between the channel and the substrate. Also ensure you have added the external cladding to the outer edge of the channel at this stage.

3.



Place the isolator and slider into the channel with the wings on the inside edge and the slider positioned to the right of the isolator.

4.



Lower the glass into the channel and then push in the clamp. Make sure each clamp is between the wings of a slider.



POSIONE

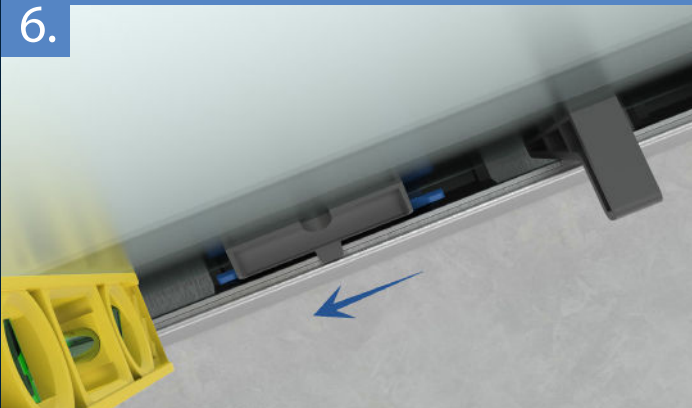
INSTALLATION GUIDE

5.



Insert one wedge tool at each end of the panel and manoeuvre the glass into the desired position by hand. Start with the glass leaning towards you.

6.



Slide the clamps to the left so the slider is tight. Press the clip on the clamp and push down into the channel. Leave the wedge tools in until the bolts have been tightened.

7.



Tighten them against the channel by unwinding the bolt.

8.



Add the top bead, gasket and endcaps to finish the installation.

For deglazing: loosen and remove clamp bars, move the glass to free it. Then use the hook on the spanner to lift out the clamps before removing the glass.