

1

2

3

4

5

6

A

A

B

B

C

C

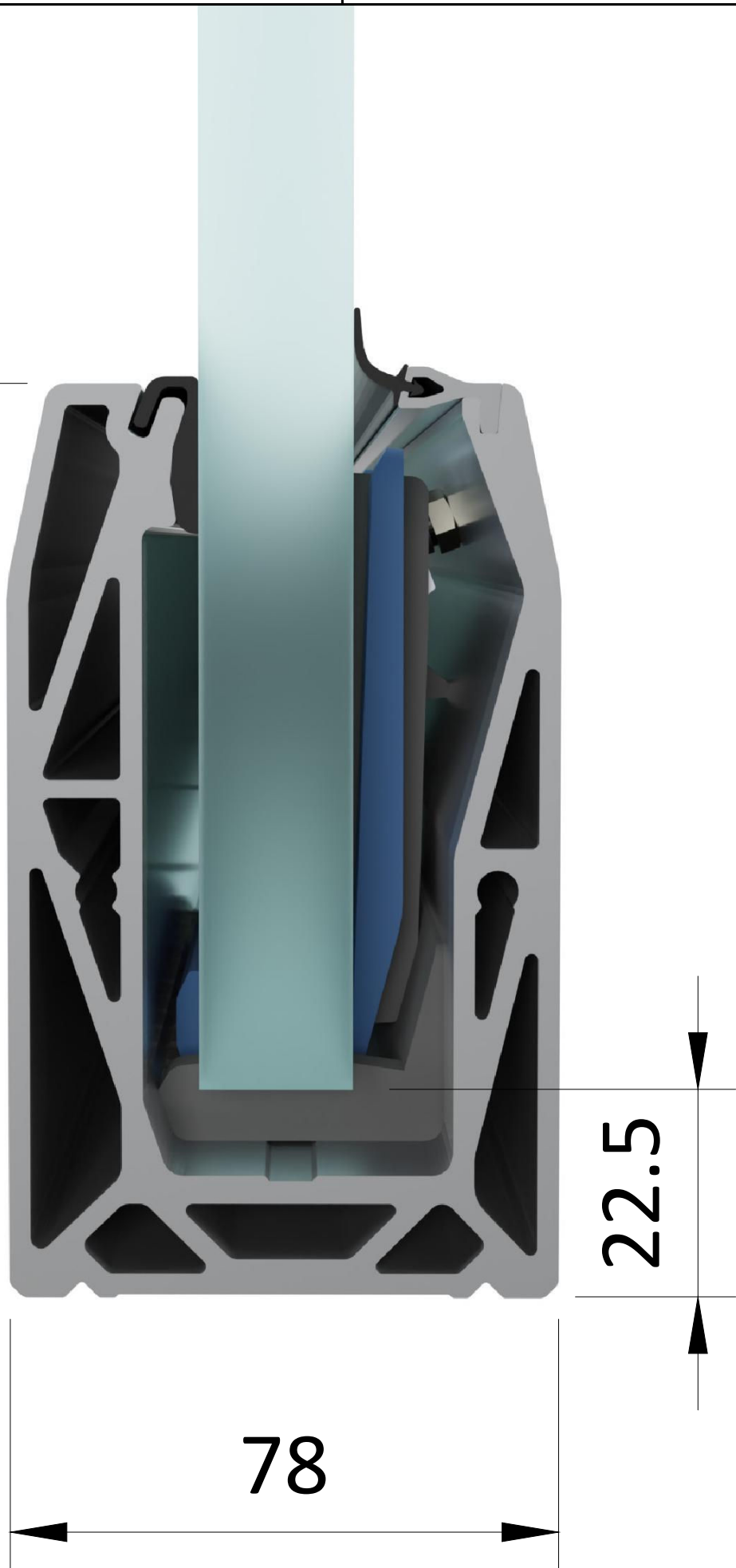
D


D

129.5

22.5

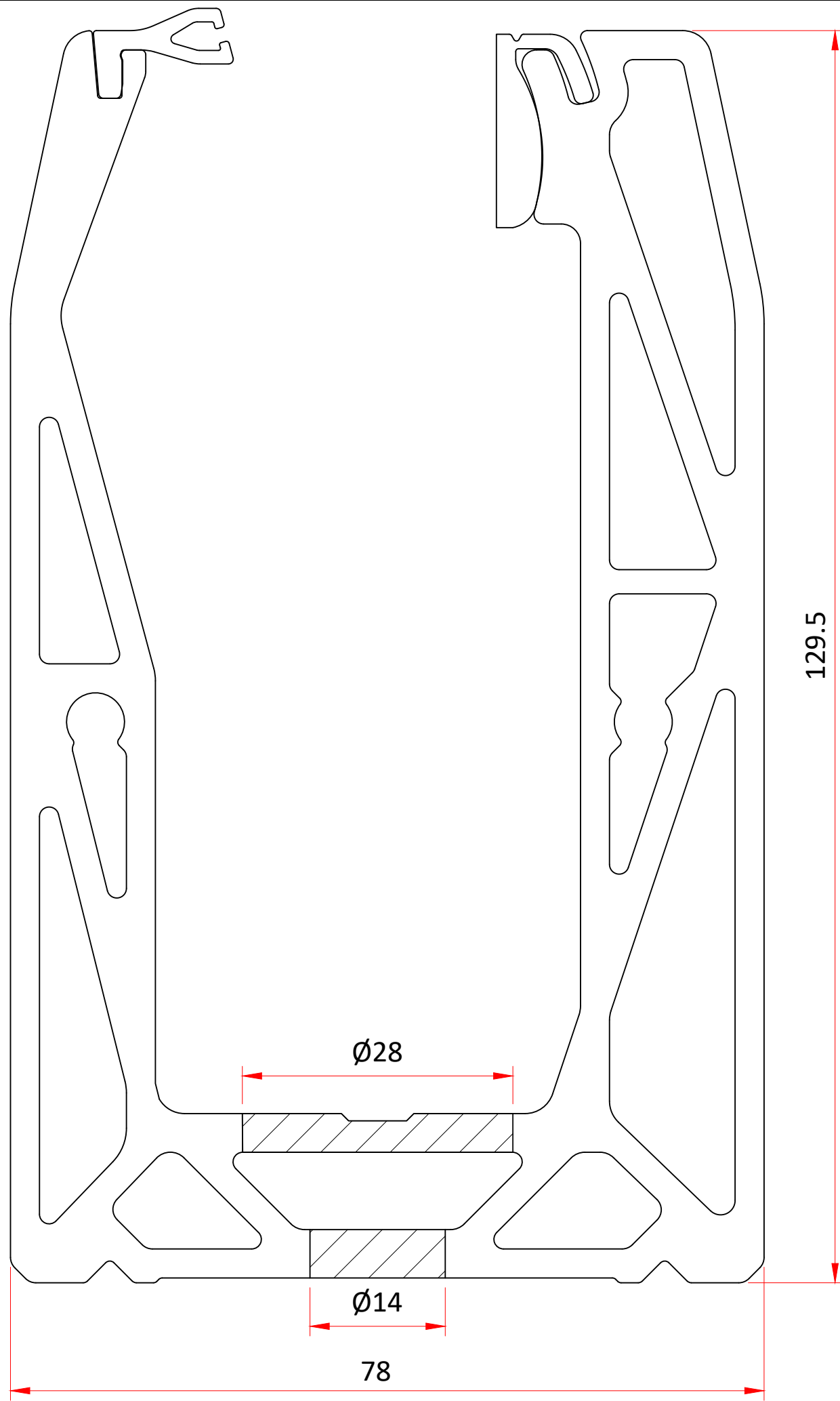
78




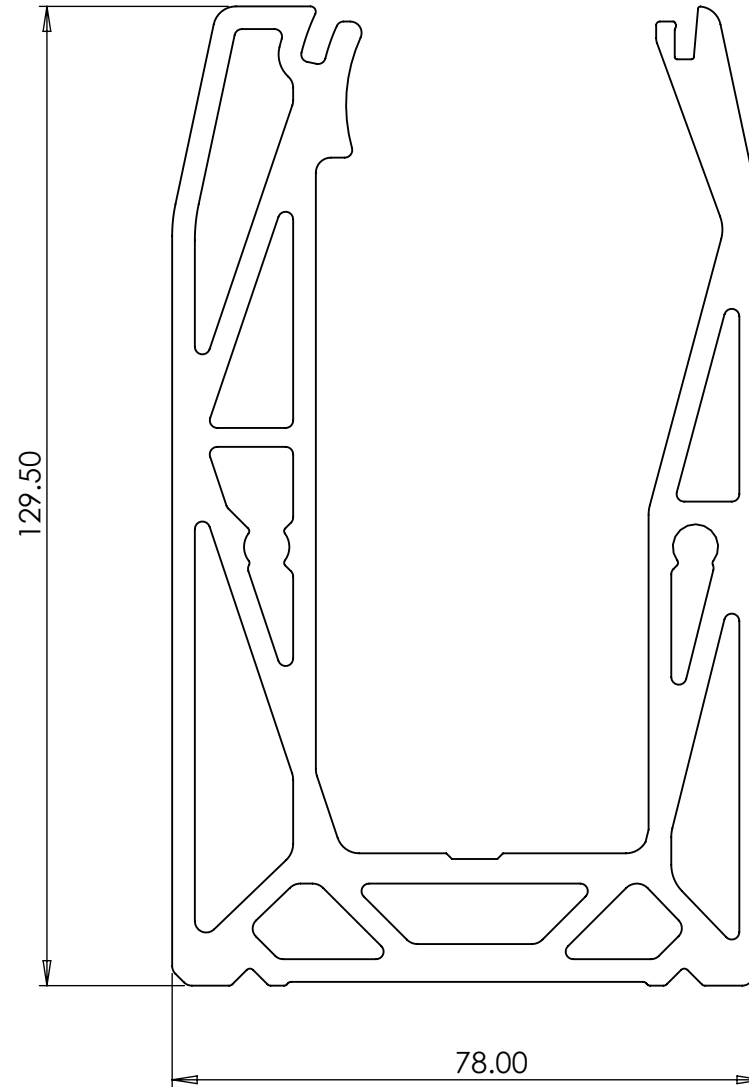
DO NOT SCALE DRAWING	REVISION - ORIGINAL
TITLE: PosiOne - Glass Deduction	
PRODUCT CODE: POC - 010	
DATE DRAWN: 23-03-23	DRAWN BY: SB
SCALE: 1:1	
 PUREVISTA Architectural Bespoke Solutions	

1 2 3 4 5 6

A
B
C
D



DO NOT SCALE DRAWING	REVISION - ORIGINAL
TITLE: Posi One - Channel Profile	
PRODUCT CODE: POC-010	
DATE DRAWN: 31-05-23	DRAWN BY: SB
SCALE: 1:1	SHEET 1 OF 1
 PUREVISTA Architectural Balustrade Solutions	



DO NOT SCALE DRAWING	REVISION	
Purevista		
TITLE: OSF Channel Base Mount Profile		
DWG NO.	26-08-21	A4
SCALE:1:1		

Aluminium 6063-T6

Finnish as directed

Purevista

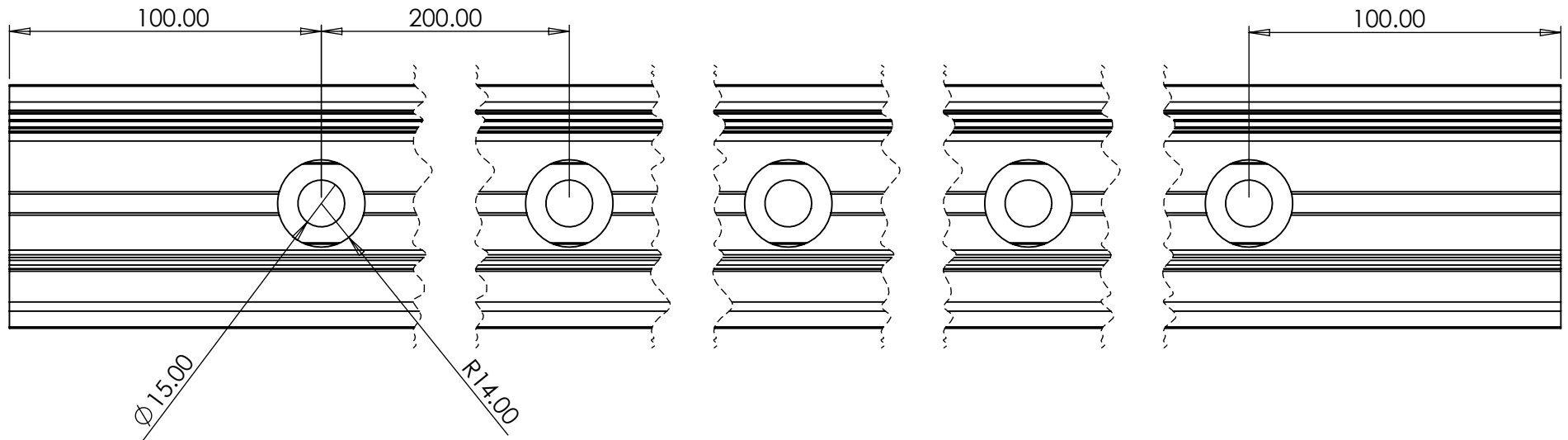
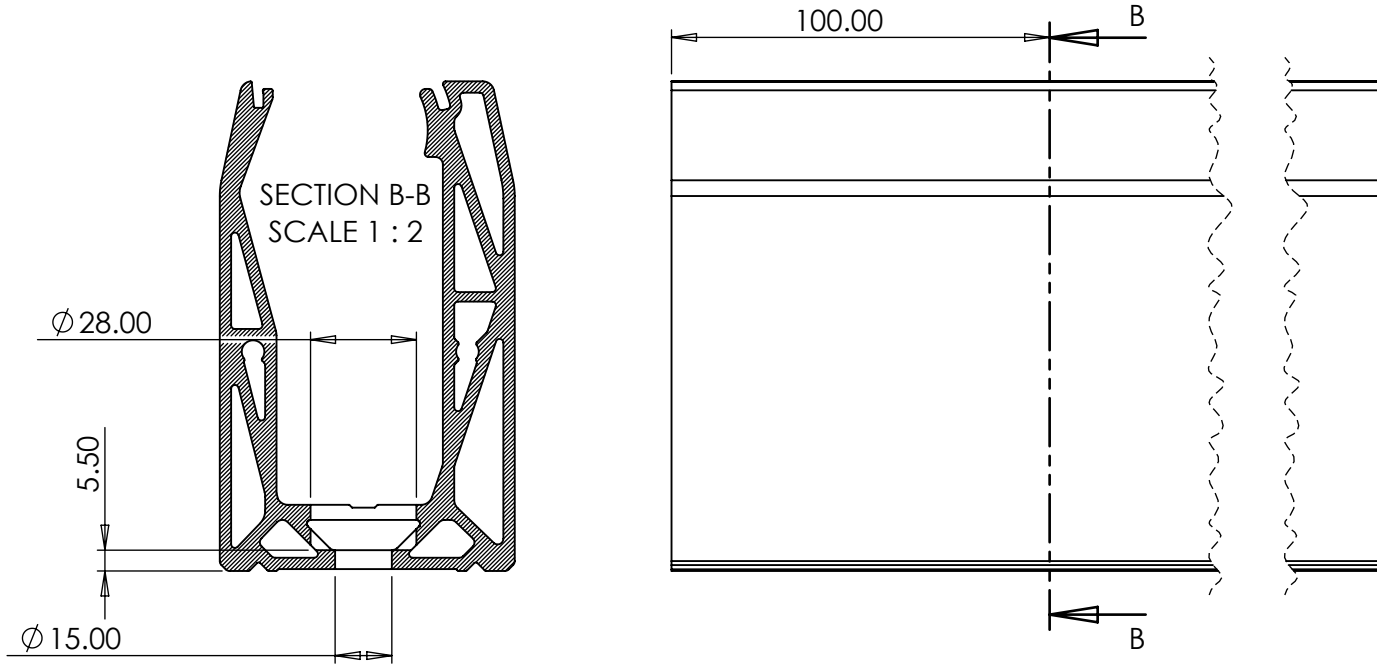
TITLE:
OSF Channel Base Mount Profile

DWG NO. 26-08-21 A4

SCALE:1:10

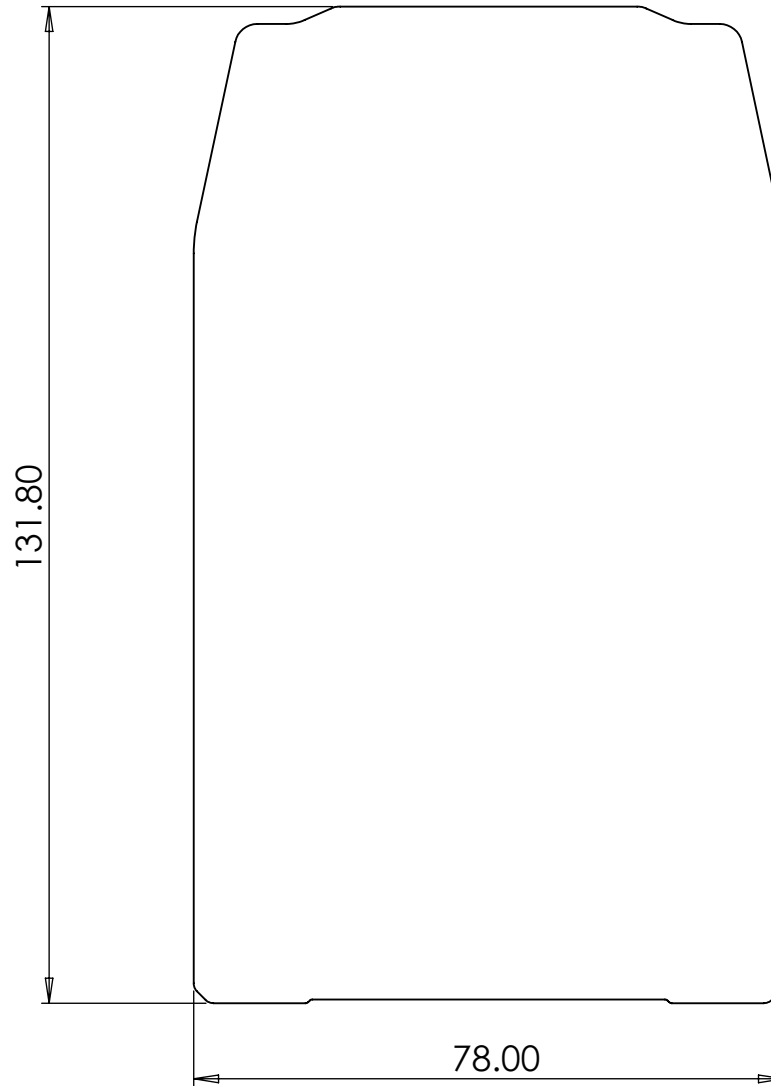
Aluminium 6063-T6

Finnish as directed

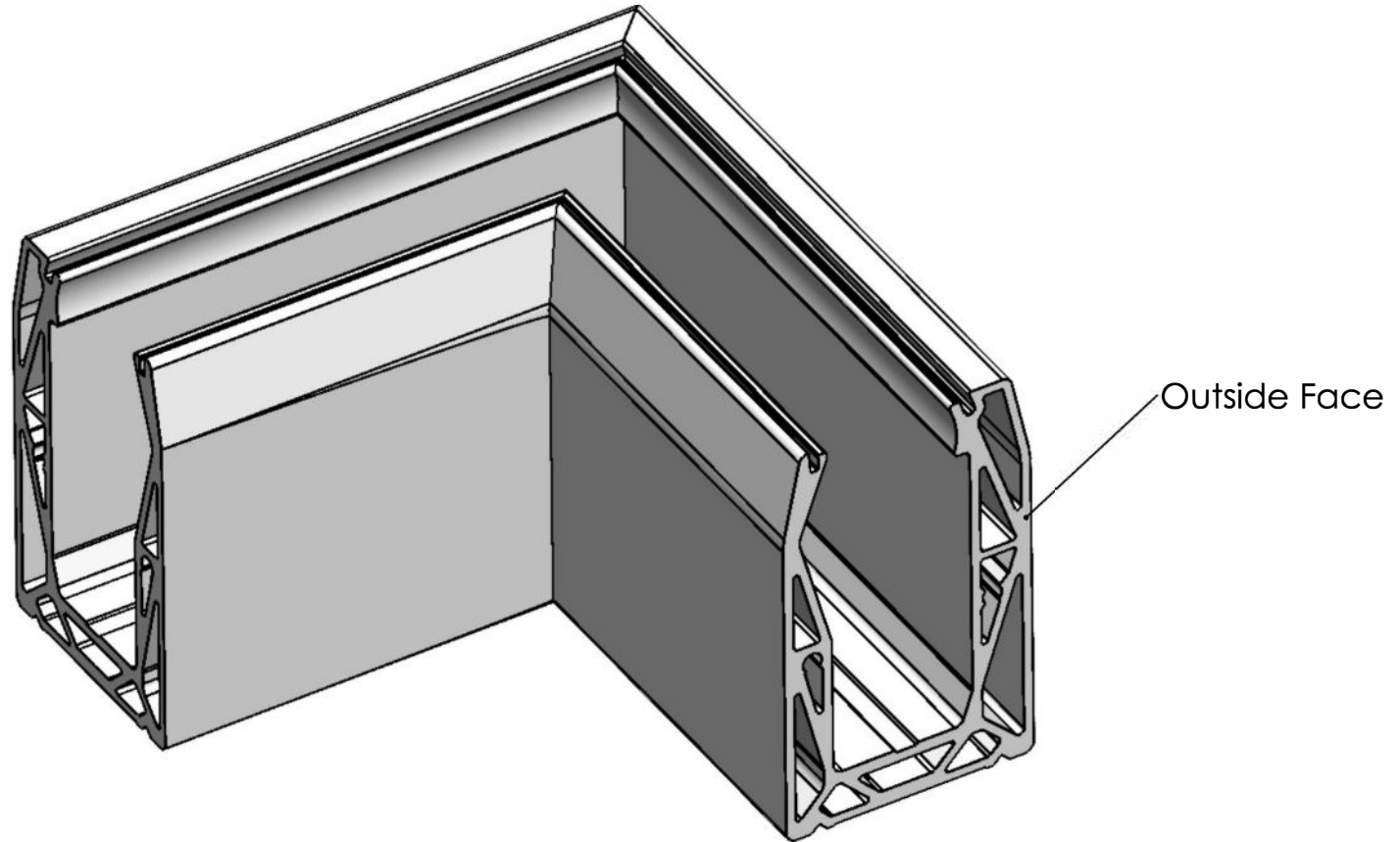


DO NOT SCALE DRAWING	REVISION
Purevista	
TITLE: One Side Fix Stainless End Cap	
DWG NO.	27-11-22
SCALE:1:1	A4

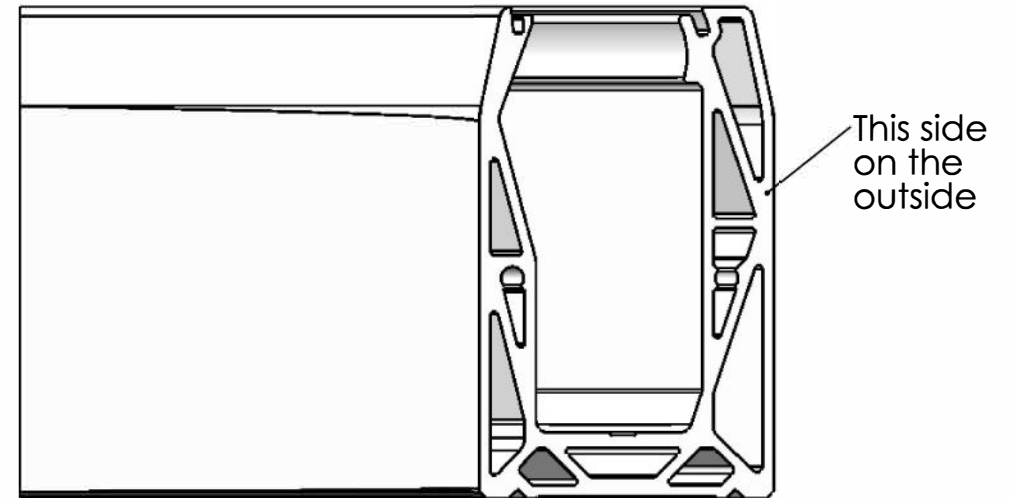
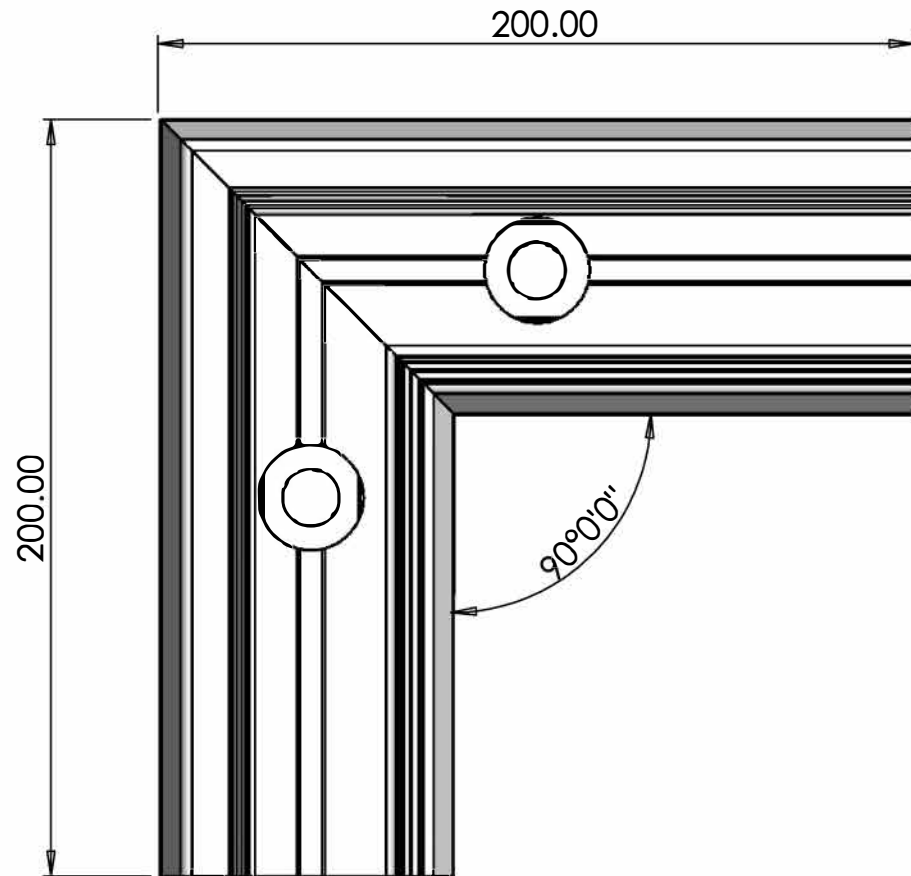
**20 Gauge (0.9mm)
Brushed 316 Stainless steel**

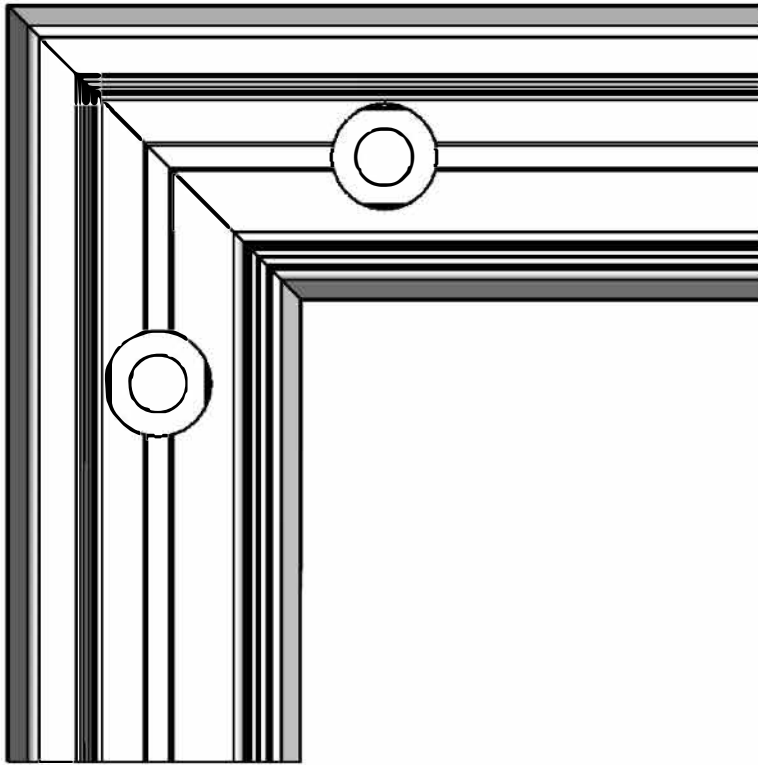


DO NOT SCALE DRAWING	REVISION
Purevista	
TITLE: One Side Fix 90 Degree Corner	
DWG NO.	02-12-22
SCALE:1:10	A4

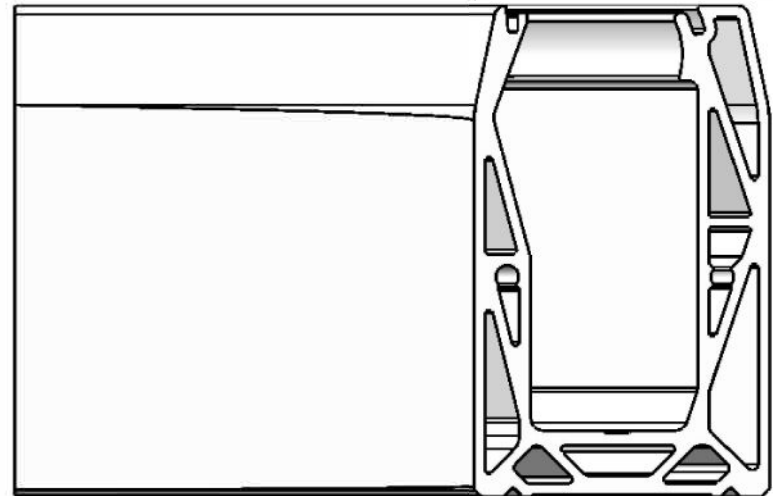
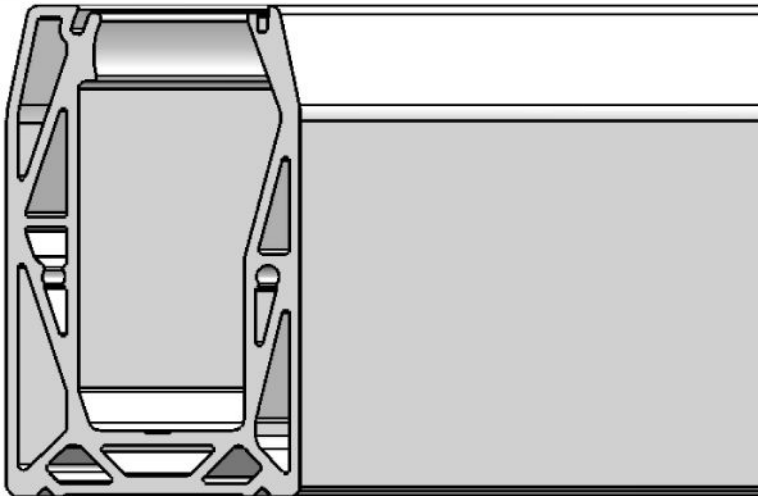


DO NOT SCALE DRAWING	REVISION
Purevista	
TITLE: One Side Fix 90 Degree Corner	
DWG NO.	02-12-22
SCALE:1:10	A4

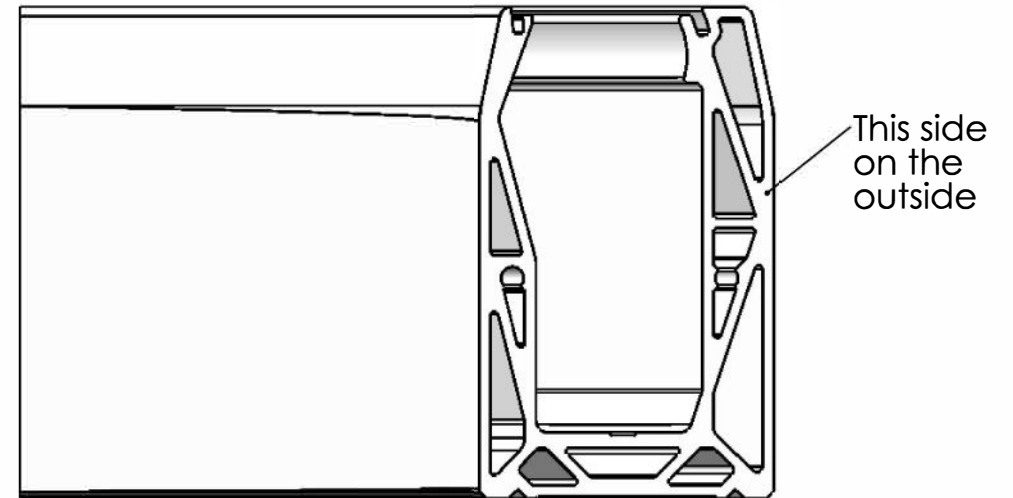
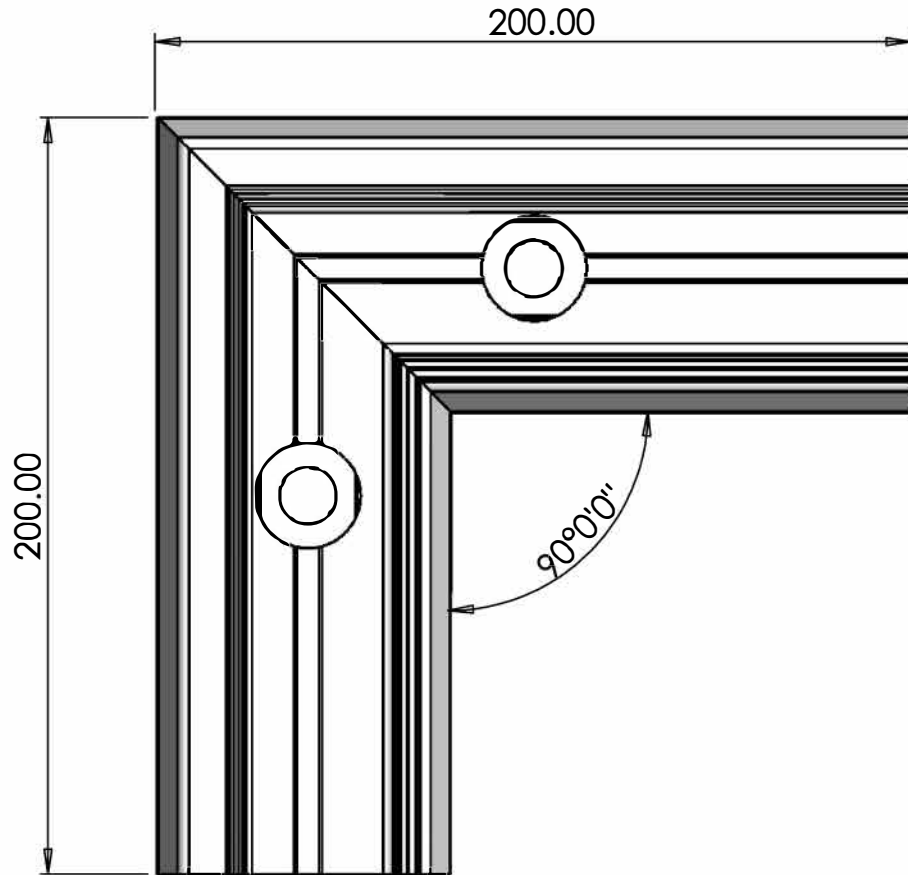


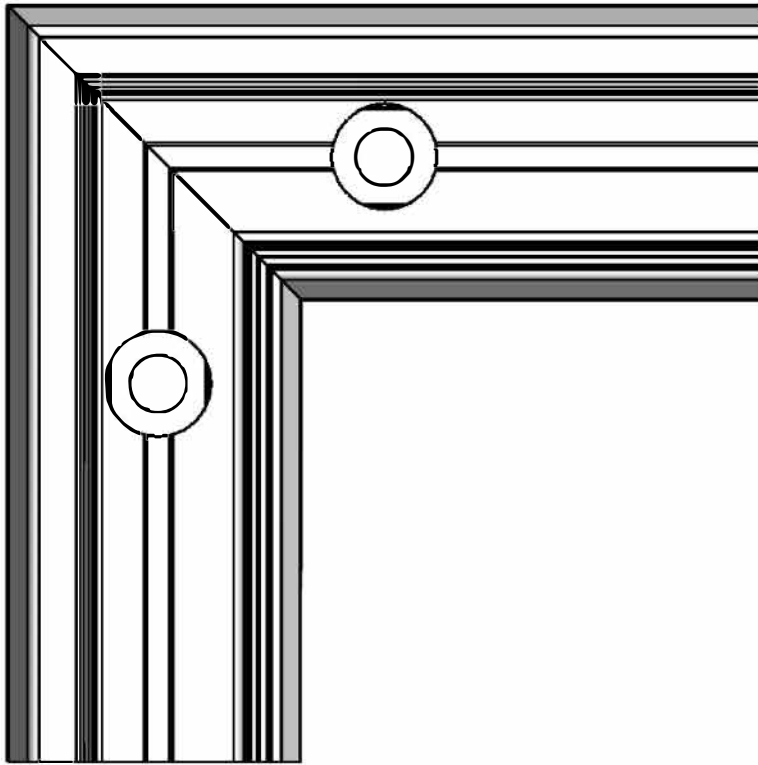


DO NOT SCALE DRAWING	REVISION	
Purevista		
TITLE: One Side Fix 90 Degree Corner		
DWG NO.	02-12-22	A4
SCALE:1:10		



DO NOT SCALE DRAWING	REVISION
Purevista	
TITLE: One Side Fix 90 Degree Corner	
DWG NO.	02-12-22
SCALE:1:10	A4





DO NOT SCALE DRAWING	REVISION	
Purevista		
TITLE: One Side Fix 90 Degree Corner		
DWG NO.	02-12-22	A4
SCALE:1:10		

