



PURE **VISTA**  
Glass Railing Specialists

GLAS Gelænder Katalog

# About Us

Pure Vista is a highly successful family owned company that has been supplying high quality balustrade systems to clients all over the world for more than 15 years.

Our innovative products fill a gap in the marketplace to meet the needs of modern architecture and health and safety legislation, in a beautiful and unobtrusive way. We take great pride in bringing the latest glass railing systems to you, competitively priced with unparalleled technical support and the personal service you would expect from a reputable family business.

## Quality Products

We design and manufacture the most pioneering range of patented solutions for architectural glass installation, using only the highest quality materials. Our frameless glass balustrade products are vigorously tested and meet all required national and international building standards, giving you peace of mind.

## Cad. Stock. Tested.

All of our products have CAD files available to download or if you are specifically looking for a certain product, get in contact and we can send you what you need. We have installation guides and technical drawings available to download on our website.

This ranges from DXF, DWG, BIM and PDF. We are more than happy to look over any drawings and offer installation advice, making sure the installation will be secure and meet the design load.

We can also assist in making comments to the waterproofing and find suggestions to prevent water ingress.

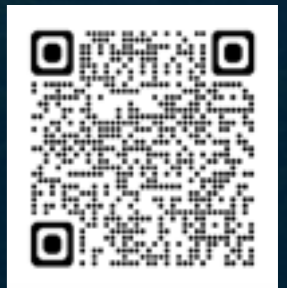
Pure Vista holds an extensive stock range to meet all project demands. In most cases we are able to ship smaller orders next-day and for larger orders 3-5 days.

All our systems are tested using a variety of glass types at a range of heights. All of our systems go through a rigorous in-house test programme ensuring a completely safe system can be applied to market.

Once satisfied with the system we test the product with 3rd party, accredited, laboratories in global locations. This ensures almost any scenario is covered without a requirement of further testing.

# Contents

|  |  |
|--|--|
| <p><b>01</b> SPIG-LITE<sup>advanced</sup> INTRODUCTION 04<br/>                 SPIG-LITE<sup>advanced</sup> KEY BENEFITS 05<br/>                 SPIG-LITE<sup>advanced</sup> APPLICATIONS 05<br/>                 SPIG-LITE<sup>advanced</sup> INSTALLATION GUIDE 06<br/>                 SPIG-LITE<sup>advanced</sup> TECHNICAL DRAWINGS 06<br/>                 SPIG-LITE<sup>advanced</sup> PRODUCT CODES 07</p>   | <p><b>06</b> TIMBER FIXING PLATES 36<br/>                 STEEL FIXING PLATES 37</p>   |
| <p><b>02</b> ARIA INTRODUCTION 08<br/>                 ARIA KEY BENEFITS 09<br/>                 ARIA APPLICATIONS 09<br/>                 ARIA INSTALLATION GUIDE 10<br/>                 ARIA TECHNICAL DRAWINGS 10<br/>                 ARIA PRODUCT CODES 11</p>   | <p><b>07</b> Balcony Seal® INTRODUCTION 38<br/>                 Balcony Seal® INSTALLATION GUIDE 38<br/>                 Balcony Seal® TECHNICAL DRAWINGS 39<br/>                 Balcony Seal® PRODUCT CODES 39</p>   |
| <p><b>03</b> FIRE RATED PRODUCTS 12<br/>                 POSIglaze INTRODUCTION 14<br/>                 POSIglaze KEY BENEFITS 15<br/>                 POSIglaze APPLICATIONS 15<br/>                 POSIglaze INSTALLATION GUIDE 16<br/>                 POSIglaze TECHNICAL DRAWINGS 16<br/>                 POSIglaze PRODUCT CODES 17</p>   | <p><b>08</b> HANDRAIL 40<br/>                 GLASS HARDWARE 43<br/>                 GLASS STIFFENERS 43<br/>                 POINT FIXINGS 44<br/>                 CONCRETE FIXING 45<br/>                 INTERNAL THREADED ROD SYSTEM 45<br/>                 STEEL FIXING 45</p> |
| <p><b>04</b> POSIone INTRODUCTION 22<br/>                 POSIone KEY BENEFITS 23<br/>                 POSIone APPLICATIONS 23<br/>                 POSIone INSTALLATION GUIDE 24<br/>                 POSIone TECHNICAL DRAWINGS 24<br/>                 POSIone PRODUCT CODES 25</p>   | <p><b>09</b> GLASS DEFLECTION 46<br/>                 SPIG-LITE<sup>advanced</sup> 46<br/>                 POSIglaze 47<br/>                 POSIone 48<br/>                 MEGA<sup>grip</sup> 49</p>  |
| <p><b>05</b> MEGA<sup>grip</sup> INTRODUCTION 28<br/>                 MEGA<sup>grip</sup> KEY BENEFITS 29<br/>                 MEGA<sup>grip</sup> APPLICATIONS 29<br/>                 MEGA<sup>grip</sup> INSTALLATION GUIDE 30<br/>                 MEGA<sup>grip</sup> TECHNICAL DRAWINGS 30<br/>                 MEGA<sup>grip</sup> PRODUCT CODES 31<br/>                 ANTI-TERROR PRODUCTS 33<br/>                 BLASTguard 34<br/>                 BULLETguard 35</p> |  |



**KONTAKT OS**

# 01 SPIG-LITEadvanced

Introduction



**SPIG-LITEadvanced** is extremely simple and cost effective to install due to it being spigot-based, as opposed to a channel based configuration. Without a channel, there is a greater percentage of glass visible to maximise your view. The individual spigots allow free water flow making them perfect for wet areas such as poolside or an exposed balcony, keeping the glass out of submersion.

Mechanised by a two-sided screw-clamp adjustment system, each individual panel of glass in the **SPIG-LITEadvanced** system can be horizontally adjusted once in position, providing an accurate installation and flawless finish. Ideal for single family domestic dwellings where up to 0.74kN force loading capability is required.



# 01 SPIG-LITEadvanced

KEY BENEFITS



**FAST AND EASY TO INSTALL AND ADJUST**

One of the most simple balustrade systems to fit and adjust thanks to its patented screw-clamp technology. Dry glazed where no specialist tools are required. Glass can easily be removed and replaced if required.



**SMALL AND COMPACT SYSTEM**

The **SPIG-LITEadvanced** balustrade system can be packed into boxes making it simple and cost-effective to store and dispatch. On large installations, this can save a great deal of time and money!



**UP TO 0.74KN LOADING TO BSI STANDARDS**

Accredited and approved by multiple organisations to verify that it meets national and international building regulations for use as edge protection, where 0.74kN force loading is required.



**HARD WEARING**

**SPIG-LITEadvanced** has been precision engineered to provide incredible strength, for a lightweight and compact balustrade system. For additional protection from the elements, **SPIG-LITEadvanced** spigots are anodised to 25 microns.



**SUITABLE FOR A RANGE OF GLASS TYPES**

**SPIG-LITEadvanced** can be used with a range of glass types from 12mm toughened to 21.5mm PVB glass. It is the different glass types that allow **SPIG-LITEadvanced** to resist varying line loads, up to 0.74kN.

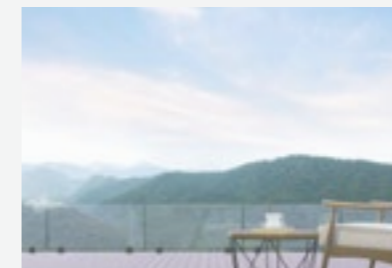


**HIGHLY ADJUSTABLE**

**SPIG-LITEadvanced** benefits from two sided screw-clamp technology that provides a 2° adjustment angle on either side of the glass. Enabling the perfect alignment of each glass panel, even when being installed onto an uneven surface.

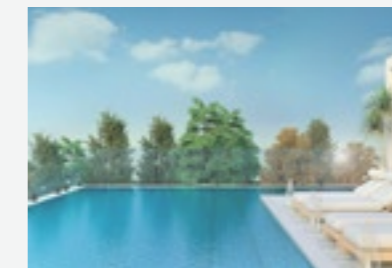
# 01 SPIG-LITEadvanced

APPLICATIONS



## EXTERIOR BALUSTRADE

- ✓ Balcony balustrade
- ✓ Terrace windbreak
- ✓ Garden screening



## SWIMMING POOL FENCING

- ✓ Pool safety barrier
- ✓ Glass walkway
- ✓ Splash barrier



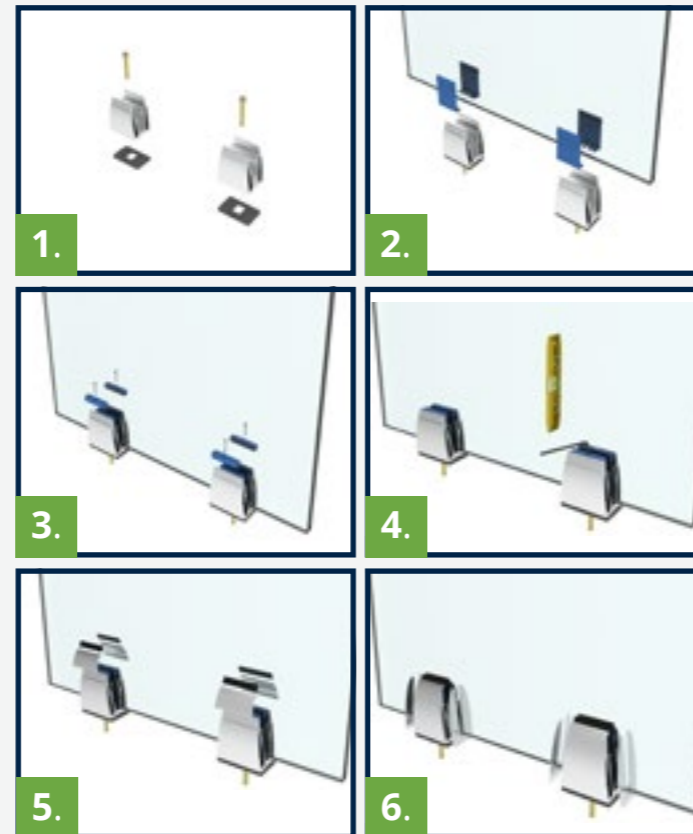
## INTERIOR BALUSTRADE

- ✓ Mezzanines
- ✓ Staircases
- ✓ Glass partitions

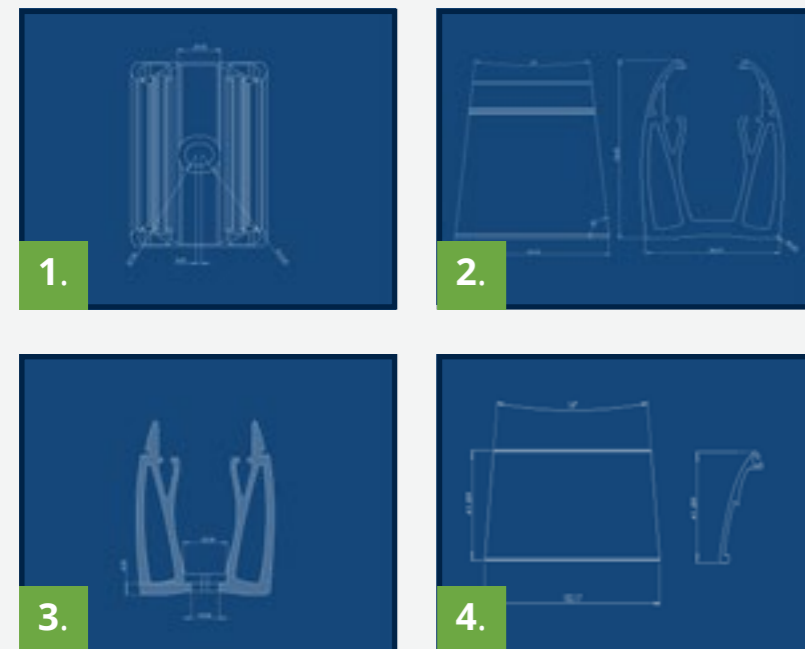
# 01 SPIG-LITEadvanced INSTALLATION GUIDE

SPIG-LITEadvanced is so simple to install and adjust thanks to its patented screw-clamp technology. These step by step instructions guide you through the installation process.

1. INSTALL THE SPIGOTS
2. MAKE CLAMPS AND ATTACH TO GLASS
3. FIT THE ADJUSTMENT MECHANISM
4. POSITION THE GLASS
5. ATTACH THE TOP CLIPS
6. FIT THE END CAPS



# 01 SPIG-LITEadvanced TECHNICAL DRAWINGS



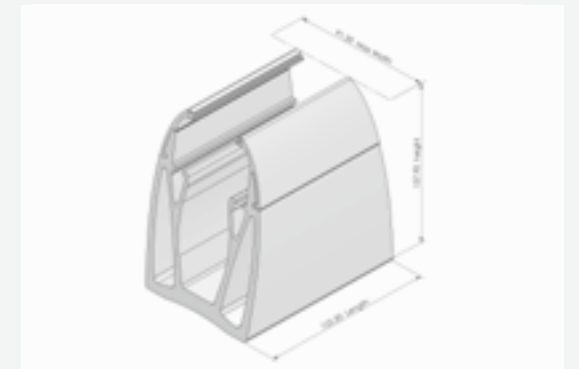
1. SPIG-LITEadvanced aerial view of spigot and bolt hole
2. SPIG-LITEadvanced spigot and top bead profile dimensions
3. SPIG-LITEadvanced spigot only profile dimensions
4. SPIG-LITEadvanced Top bead dimensions

## SPIG-LITEadvanced

SPIG-LITEadvanced is our latest innovation to the Spigot system. Looking at where we could improve the system and making it easier to install, there is now a torque setting giving you confidence the product is fitted correctly.

This version of our Spigot now also has the option of an end cap to hide the internals of the system.

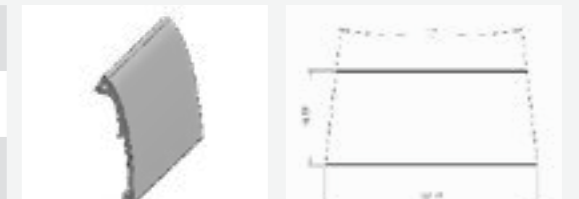
The SPIG-LITEadvanced is available in anodised graphite grey aluminium.



| SPIG-LITEadvanced Spigot |                 |                   |              |
|--------------------------|-----------------|-------------------|--------------|
| Colour                   | Glass Thickness | Anodise thickness | Product Code |
| Graphite                 | 12mm - 21.5mm   | 25µ               | SPLA-001     |



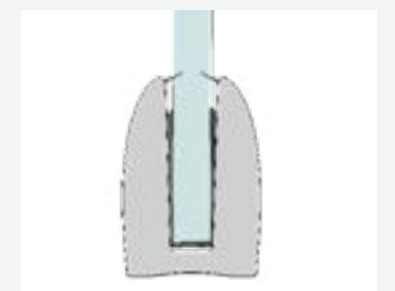
| SPIG-LITEadvanced Top Bead |                 |                   |              |
|----------------------------|-----------------|-------------------|--------------|
| Colour                     | Glass Thickness | Anodise thickness | Product Code |
| Graphite                   | 12mm - 21.5mm   | 25µ               | SPLA-002     |



| SPIG-LITEadvanced Clamp Kit (incl. Gasket) |                    |              |
|--|--------------------|--------------|
| Glass Thickness                            | Line Load Achieved | Product Code |
| 12mm                                       | 0.36kN             | SPLAB-0012   |
| 15mm                                       | 0.74kN             | SPLAB-0015   |
| 17.5mm                                     | 0.74kN             | SPLAB-0017   |
| 21.5mm                                     | 0.74kN             | SPLAB-0021   |



| Spare Gasket    |              | End Cap   |              |
|-----------------|--------------|-----------|--------------|
| Glass Thickness | Product Code | Material  | Product Code |
| 12mm-15mm       | SPLAG-001    | Aluminium | SPLA-060     |
| 17.5mm- 21.5mm  | MGA-001      |           |              |



| BalconySeal™ - Water Sealing Drain Block Kit |               |
|--|---------------|
| Parts included                               | Product Code  |
| 1-6 Drain blocks, 1 Tube Sealant             | SPLA-DRAINAGE |



## 02 ARIA

Introduction



The original Pure Vista Juliet system providing simple installations with excellent value for money.

A stunning new Juliet System that meets all the required safety measures in a subtle and beautiful way.

ARIA means air and we want you to feel fully connected to the outside through your ARIA balcony. Bringing fresh air into your home and enjoying your views to the maximum. Another great benefit of the ARIA is that the increased window size will bring in lots of natural sunlight. Available for glass lengths of up to 3000mm and height of 1100mm. This channel can be used for fascia or reveal fixing.

The ARIA Juliet channel is tested up to 0.74kN per metre fixing into concrete and steel.



The lightweight Aluminium channel is anodised to 25 microns, ensuring protection from the elements. Delivered in one box with all the components needed for simple storage and a quick installation.

## 02 ARIA

KEY BENEFITS

FAST AND EASY TO INSTALL AND ADJUST

Like all Pure Vista products the ARIA system has been designed to be fast and easy to install. Glass held in place with a solid Aluminium block.

EXTRA SAFETY FOR PETS AND CHILDREN

Reduced risk of falls and injuries due to the solid pane of glass and no railings. Glass width of up to 3000mm.

STRONG AND ROBUST

ARIA is accredited and approved by multiple organisations to verify that it meets national building regulations for use as edge protection, where up to 0.74kN force loading is required.

PATENTED DESIGN

The patented design works to allow extra light and air into your home. Different to other versions with an easier installation method.

LIGHTWEIGHT

Precision engineered using extruded aluminum; providing an incredible strength to weight ratio. For added protection ARIA is anodised to 25 microns.

DOMESTIC USES

With 0.74kN force loading capability, ARIA is a domestic to light commercial crossover product, making it an appropriate choice for a wide range of installations.

## 02 ARIA

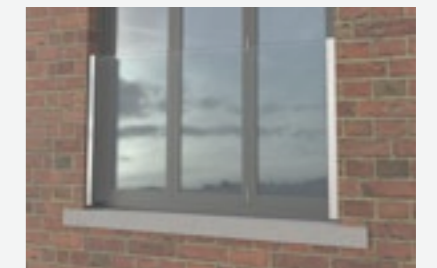
APPLICATIONS



EXTERNAL APPLICATION



FASCIA FIXED



REVEAL FIXED

## 02 ARIA INSTALLATION GUIDE

ARIA is simple to install and thanks to its patented technology. These step by step instructions guide you through the installation process.

**1. FIT THE CHANNEL**

**2. PLACE THE SUPPORT BLOCK**

**3. PUT THE GLASS IN THE CHANNEL**

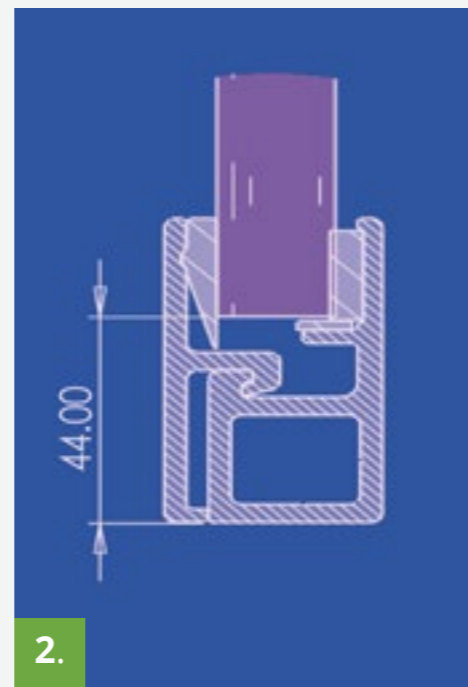
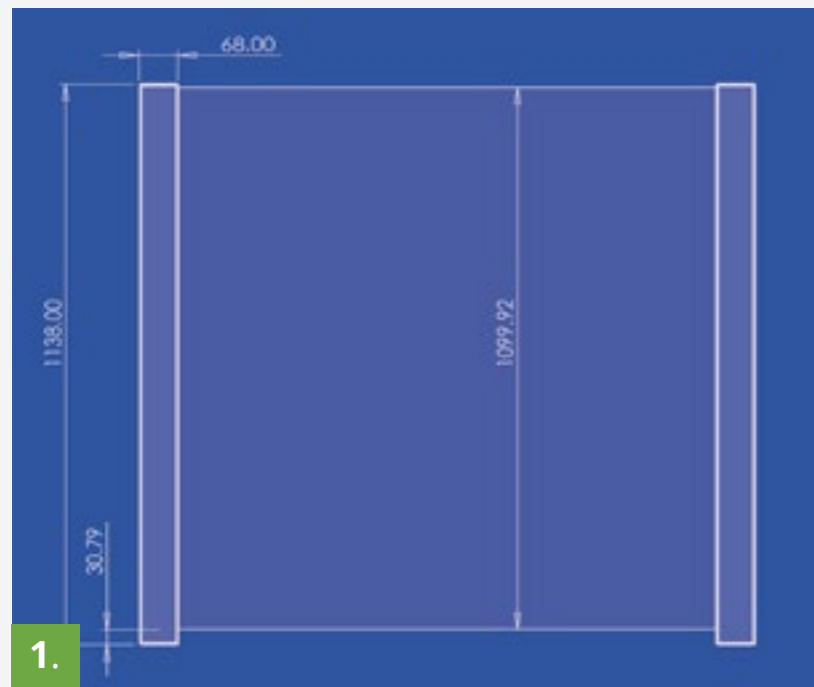
**4. SLIDE ON THE TOP COVER**

**5. INSERT RIGID GASKET**

**6. ADD THE END CAPS**



## 02 ARIA TECHNICAL DRAWINGS

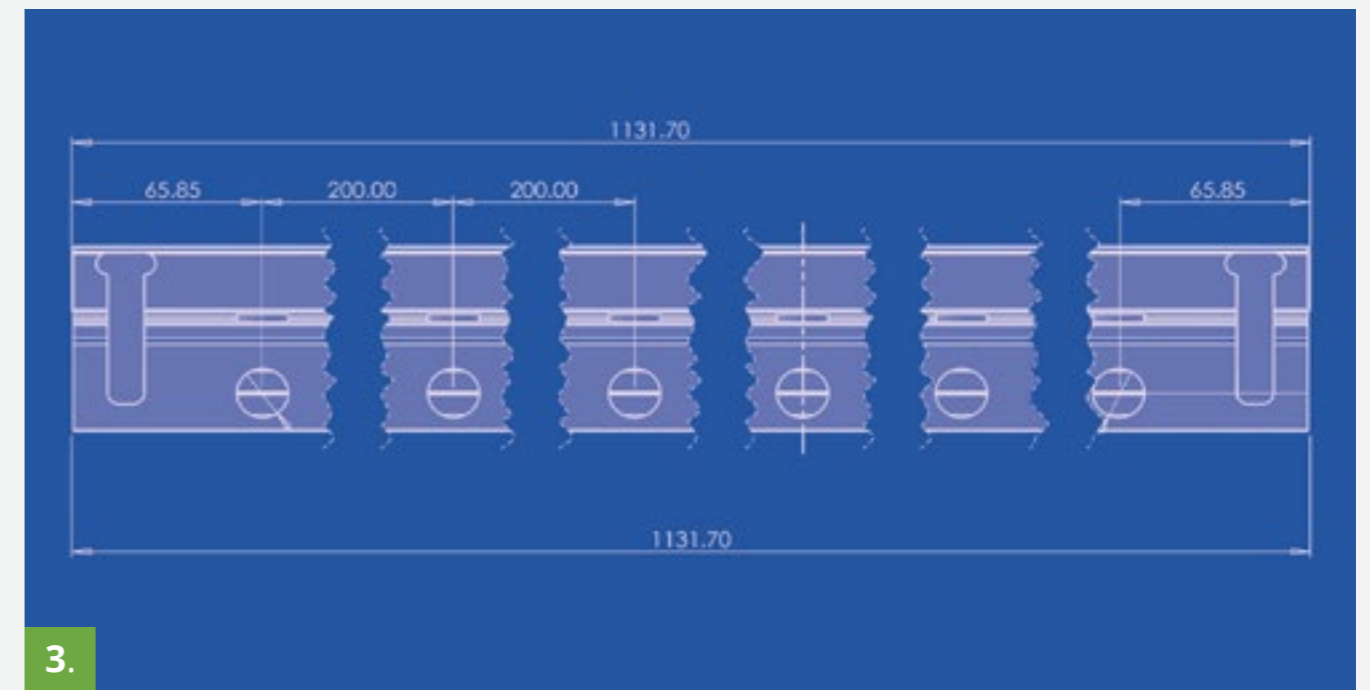


| ARIA Kit       |                           |     |                 |              |
|----------------|---------------------------|-----|-----------------|--------------|
| Colour/Type    | Grade + Anodise Thickness |     | Glass Thickness | Product Code |
| Silver Brushed | 6063                      | 25µ | 13.5mm          | AR-002       |
| Silver Brushed | 6063                      | 25µ | 17.5mm-21.5mm   | AR-001       |
| Black Brushed  | Available summer 2024     |     |                 |              |



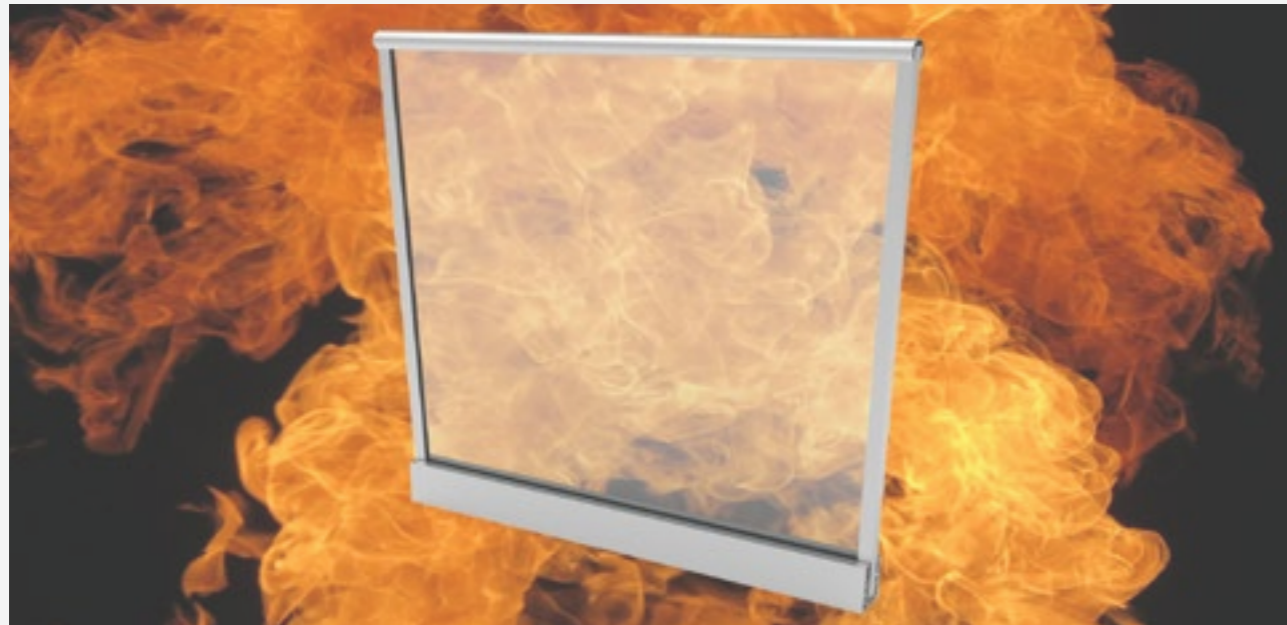
| Glass Types           |                      |       |                      |       |                |       |                      |       |                   |       |
|-----------------------|----------------------|-------|----------------------|-------|----------------|-------|----------------------|-------|-------------------|-------|
| Glass Type>           | 13.5mm Toughened PVB |       | 17.5mm Toughened PVB |       | 19mm Pyroguard |       | 21.5mm Toughened PVB |       | 21.5mm SentryGlas |       |
| Substrate >           | Concrete             | Steel | Concrete             | Steel | Concrete       | Steel | Concrete             | Steel | Concrete          | Steel |
| Max Glass Span (mm) > | 1400                 | 1400  | 1800                 | 1800  | 2000           | 2000  | 2400                 | 2400  | 3000              | 3000  |

1. Full System Measurements
2. Glass Deduction
3. Hole Centres



# FIRE RATING

Introduction



**POSlglaze and POSlone have successfully passed the fire testing required for installations on projects over 11-metre-high according to building regulation A2, S1, D0, EN 13501-1 and have reached the line load of 0.74kN.**

Pure Vista partnered with Pyroguard to test both the glass and balustrade, ensuring that the system as a whole surpasses the strict requirements laid out by the UK government. That means we tested the channel alongside all the internal components and glass for a complete system test. It was important for us to be able to provide the safest fire-rated system available.



the difference between real-world and test conditions. We also decided that the 25mm would be too expensive for the majority of budgets. Therefore, the 23mm gave us a great balance of strength with cost effectiveness and more importantly, safety on both elements of line loading and fire safety.

We also considered how we can keep this product as affordable as possible without needing to compromise on safety. We looked at the glass being used. The 19mm glass variant only just passed the line loading, this was too close for comfort when considering

# FIRE RATING

KEY BENEFITS

23mm PYROGUARD GLASS

To meet the specified regulation both the glass used, and the balustrade channel must pass the fire testing. Traditional laminate glass has inter-layers that are combustible, a different type of glass must be used. Pyroguard have developed a type of laminate glass which can pass the testing and is the safest option to use. This is the glass we recommend with our balustrade for projects which must comply with this standard.

ACCREDITED TO 0.74kN TO BS 6180:2011

Accredited and approved by multiple organisations to verify that it meets national and international building regulations for use as edge protection, where up to 0.74kN force loading is required.

# FIRE RATING

APPLICATIONS



## OVER 11m HIGH

POSlone is installed and adjusted on the safe side of the glass, meaning any glass replacements can be easily carried out. This enables a safer installation on projects with glass balustrade, including those over 11 metres high.



## EXTERNAL APPLICATION

Our testing has gone above and beyond the necessary requirements to improve safety for homeowners. Our priority is to make the best product for our customers, even if that means higher investment in research, development, and testing.



## DOMESTIC APPLICATION

**Pure Vista's fire rating for POSlglaze and POSlone is A2, S1, D0 rating which means our product is classed as non-combustible with little to no smoke and no droplets within the first 10 minutes of fire exposure.**

Our fire-rating test reports and rating are available on our website. [www.pure-vista.com](http://www.pure-vista.com)

To purchase the fire-rated products you will need to discuss requirements with our technical and sales team. They can provide design assistance and quotes.

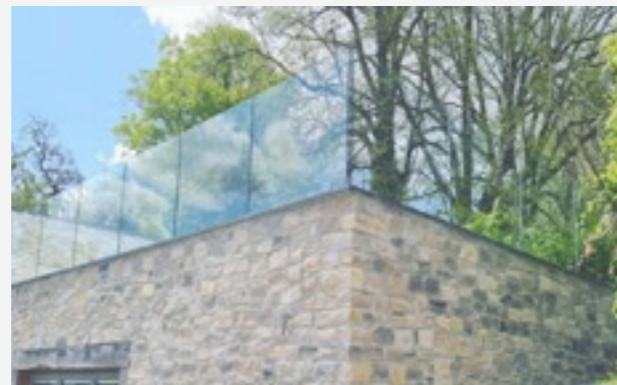
### 03 POSIglaze Introduction



**POSIglaze is one of the most technically advanced aluminium balustrade systems on the market today.**

Easily identified by its characteristic triangular-hollowed core, which provides an incredible strength to weight ratio. **POSIglaze** is able to achieve up to 1.50kN line load resistance when used with glass panels up to 1350mm high, making it a highly adaptable balustrade system suitable for use as edge protection in both domestic and commercial installations.

**POSIglaze** was the first fully adjustable system to enter the balustrade marketplace. The system benefits from patented screw-clamp technology, whereby two screws either side of the glass clamp are adjusted to enable up to a 2° tilt in the glass.



This means that when fitting the channel to an uneven surface, the angle of the channel can be countered by the adjustment of the glass.



### 03 POSIglaze KEY BENEFITS



**FAST AND EASY TO INSTALL AND ADJUST**

One of the most simple balustrade systems to fit and adjust thanks to its patented screw-clamp technology. No specialist tools are required for installation. Glass can easily be removed and replaced if required.



**APPROPRIATE FOR DOMESTIC AND COMMERCIAL**

With 0.36kN to 1.50kN force loading capability, **POSIglaze** is a domestic to light commercial crossover product, making it an appropriate choice for a wide range of installations.



**ACCREDITED TO 1.50kN TO BS 6180:2011**

**POSIglaze** is accredited and approved by multiple organisations to verify that it meets national and international building regulations for use as edge protection, where up to 1.50kN force loading is required.



**CAN BE USED WITH A WIDE RANGE OF GLASS TYPES**

**POSIglaze** is a highly versatile product which can be used with glass thicknesses ranging from 12mm - 21.5mm, using either toughened glass, toughened laminate glass or SentryGlas.



**LIGHTWEIGHT AND STRONG**

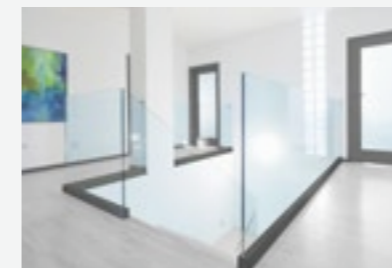
Precision engineered using extruded aluminium with a geometrically hollowed out core; providing an incredible strength to weight ratio. For added protection from the elements **POSIglaze** is anodised to 25 microns.



**ADJUSTABLE FOR USE ON UNEVEN SURFACES**

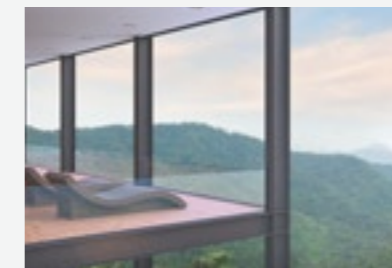
**POSIglaze** benefits from two-sided screw-clamp technology that provides a 2° adjustment angle on either side of the glass, enabling perfect alignment of each glass panel.

### 03 POSIglaze APPLICATIONS



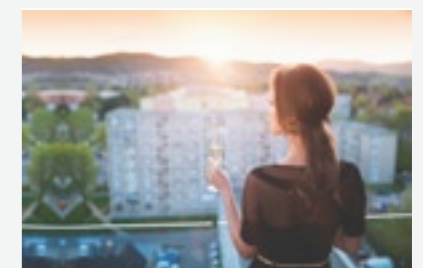
#### INTERNAL APPLICATION

- Handrail
- Staircase
- Mezzanine



#### EXTERNAL APPLICATION

- Decking
- Balcony
- Windbreak



#### COMMERCIAL APPLICATION

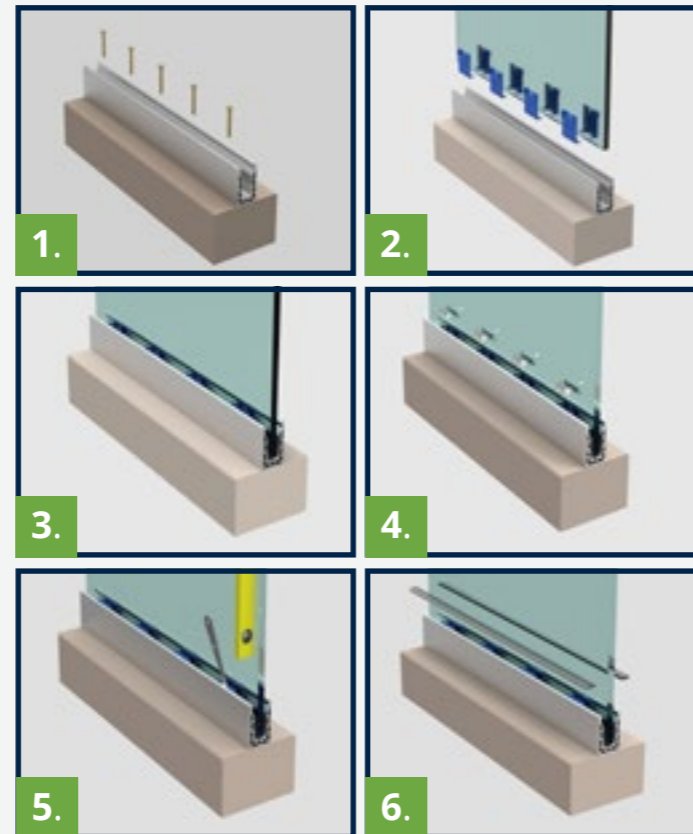
- Restaurant
- Bar
- Hotel



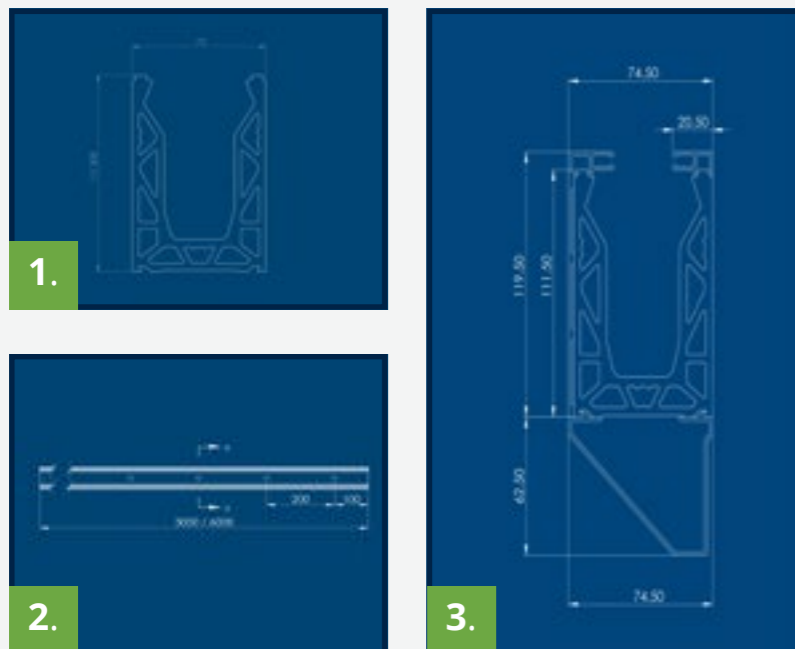
## 03 POSIglaze INSTALLATION GUIDE

POSIglaze is simple to install and adjust thanks to its patented screw-clamp technology. These step by step instructions guide you through the installation process.

1. FIT THE CHANNEL
2. CLAMP THE GLASS
3. PLACE THE GLASS IN THE CHANNEL
4. FIT THE BOLTS
5. ADJUST THE GLASS
6. ADD THE TOP BEAD



## 03 POSIglaze TECHNICAL DRAWINGS

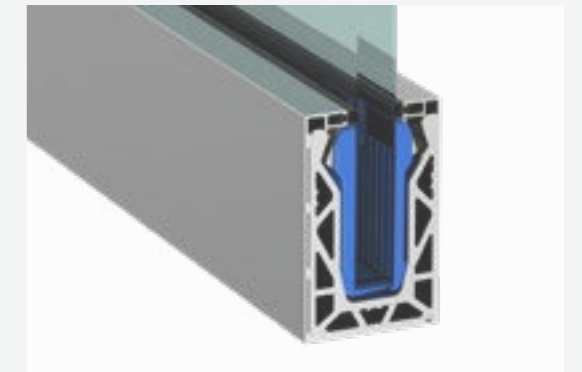


1. POSIglaze base mounted channel dimensions
2. POSIglaze bolt hole centres
3. POSIglaze side mounted channel dimensions, with Aluminium top bead, side and base cladding

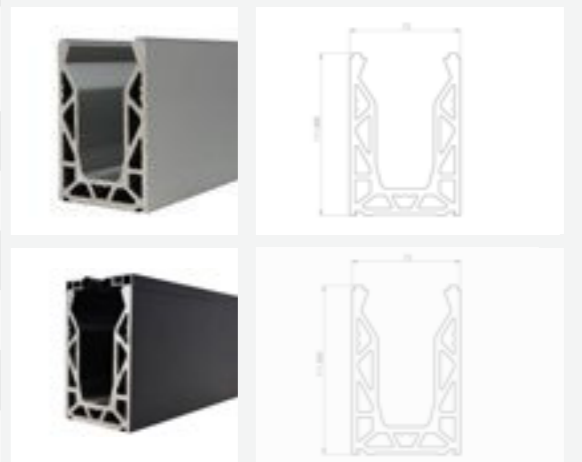
## POSIglaze

POSIglaze is our proven adjustable glass balustrade system. A preferred system amongst installers thanks to the ease of adjustment and the channels large adjustment capabilities.

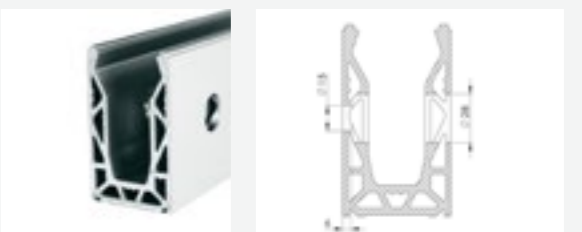
The glass is able to pivot up to 2° each way from the vertical of the base shoe, allowing for 20mm at the top of the glass at 1000mm high or a total of 40mm from one extreme to the other.



| Base Drilled Channel |                           |        |              |  |
|----------------------|---------------------------|--------|--------------|--|
| Colour/Type          | Grade + Anodise Thickness | Length | Product Code |  |
| Silver Brushed       | 6063 25µ                  | 1500mm | PGC-0105-SBV |  |
| Silver Brushed       | 6063 25µ                  | 3000mm | PGC-010-SBV  |  |
| Silver Brushed       | 6063 25µ                  | 6000mm | PGC-016-SBV  |  |
| Black Brushed        | 6063 25µ                  | 1500mm | PGC-0105BK   |  |
| Black Brushed        | 6063 25µ                  | 3000mm | PGC-010BK    |  |
| Black Brushed        | 6063 25µ                  | 6000mm | PGC-016BK    |  |



| Side Drilled Channel |                   |        |              |  |
|----------------------|-------------------|--------|--------------|--|
| Colour/Type          | Anodise Thickness | Length | Product Code |  |
| Clear Anodised       | 6063 25µ          | 1500mm | PGC-0205     |  |
| Clear Anodised       | 6063 25µ          | 3000mm | PGC-020      |  |
| Clear Anodised       | 6063 25µ          | 6000mm | PGC-026C     |  |



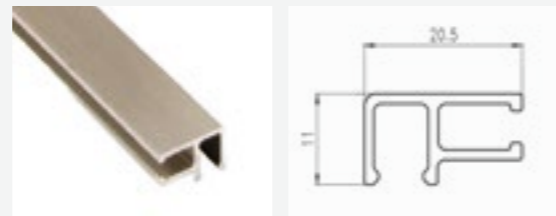
| Side Cladding  |                   |        |              |  |
|----------------|-------------------|--------|--------------|--|
| Colour/Type    | Anodise Thickness | Length | Product Code |  |
| *Raw/Untreated | 6063 N/A          | 3000mm | PGA-010R     |  |
| Silver Brushed | 6063 25µ          | 3000mm | PGA-010-SBV  |  |
| Silver Brushed | 6063 25µ          | 6000mm | PGA-016-SBV  |  |
| Black Brushed  | 6063 25µ          | 3000mm | PGA-010-BK   |  |



| Bottom Cladding |                   |        |              |  |
|-----------------|-------------------|--------|--------------|--|
| Colour/Type     | Anodise Thickness | Length | Product Code |  |
| Silver Brushed  | 6063 25µ          | 3000mm | PGA-020-SBV  |  |
| Silver Brushed  | 6063 25µ          | 6000mm | PGA-026-SBV  |  |
| Black Brushed   | 6063 25µ          | 3000mm | PGA-020BK    |  |



| Top Bead       |                   |        |              |  |
|----------------|-------------------|--------|--------------|--|
| Colour/Type    | Anodise Thickness | Length | Product Code |  |
| *Raw/Untreated | 6063 N/A          | 3000mm | PGA-030R     |  |
| Silver Brushed | 6063 25µ          | 3000mm | PGA-030-SBV  |  |
| Silver Brushed | 6063 25µ          | 6000mm | PGA-036-SBV  |  |
| Black Brushed  | 6063 25µ          | 3000mm | PGA-030-BK   |  |
| Black Brushed  | 6063 25µ          | 6000mm | PGA-036BK    |  |



| Top Bead – Cladding Insert |                   |        |              |  |
|----------------------------|-------------------|--------|--------------|--|
| Colour/Type                | Anodise Thickness | Length | Product Code |  |
| Silver Brushed             | 6063 25µ          | 3000mm | PGA-030-HO   |  |



| Clamp Kit (Incl. Gasket) |                         |              |                 |
|--------------------------|-------------------------|--------------|-----------------|
| Glass Thickness          | Line Load Achieved      | Suits Length | Product Code    |
| 12mm                     | 0.36kN                  | 3000mm       | PGB-0012        |
| 13.5mm                   | 0.36kN                  | 3000mm       | PGB-0013        |
| 15mm                     | 0.74kN                  | 3000mm       | PGB-0015        |
| 17.5mm                   | 0.74kN                  | 3000mm       | PGB-0017        |
| 19mm                     | 1.50kN                  | 3000mm       | PGB-0019        |
| 21.5mm                   | 0.74kN PVB   1.50kN SGP | 3000mm       | PGB-0021        |
| 21.5mm-1.5kN             | 1.50kN SG Side Mount    | 3000mm       | PGB-0021-1.5kN  |
| 12mm                     | 0.36kN                  | 1000mm       | PGA-0012        |
| 13.5mm                   | 0.36kN                  | 1000mm       | PGA-0013        |
| 15mm                     | 0.74kN                  | 1000mm       | PGA-0015        |
| 17.5mm                   | 0.74kN                  | 1000mm       | PGA-0017        |
| 19mm                     | 1.50kN                  | 1000mm       | PGA-0019        |
| 21.5mm                   | 1.50kN                  | 1000mm       | PGA-0021-1-5-KN |



| Base Drilled Pre-Fabricated Corners |             |               |
|-------------------------------------|-------------|---------------|
| Colour                              | Angle       | Product Code  |
| Silver Brushed                      | 90 Degrees  | PGA-090-SBV   |
| Silver Brushed                      | 135 Degrees | PGA-09135-SBV |
| Black Brushed                       | 90 Degrees  | PGA-090-BK    |
| Black Brushed                       | 135 Degrees | PGA-09135-BK  |



| Side Drilled Pre-Fabricated Corners |                     |              |
|-------------------------------------|---------------------|--------------|
| Colour                              | Angle               | Product Code |
| Clear Anodised                      | 90 Degrees Internal | PGA-090SI    |
| Clear Anodised                      | 90 Degrees External | PGA-090SE    |



\*Special order only. Please contact us for minimum order quantity and lead-time.

| End Cap 316G S/S Laser Cut                                   |             |              |
|--|-------------|--------------|
| Fitment  | Colour      | Product Code |
| Base Drilled Bead/Bead                                       | Satin/Black | PGA-060/BK   |
| Side Drilled Bead/Side Cladding                              | Satin/Black | PGA-061/BK   |
| Side Drilled Cladding/Side Cladding                          | Satin/Black | PGA-062      |
| Side Drilled Bead/Side Cladding/Bottom Cladding Right handed | Satin/Black | PGA-065R*    |
| Side Drilled Bead/Side Cladding/Bottom Cladding Left handed  | Satin/Black | PGA-065L*    |
| Base Drilled Bead/Bead Elongated for Stairs                  | Satin/Black | PGA-066/BK   |
| Base Drilled Bead/Bead with Drainage Holes                   | Satin/Black | PGA-060D/BK  |



\* Viewed from outside of balcony

| End Cap 316G Cast W/Dowels                   |        |              |
|--|--------|--------------|
| Fitment                                      | Colour | Product Code |
| Base Drilled Bead/Bead                       | Satin  | PGA-060R     |
| Side Drilled Bead/Side Cladding Right Handed | Satin  | PGA-061R     |
| Side Drilled Bead/Side Cladding Left Handed  | Satin  | PGA-061L     |



| Joining Dowels (2 req. per join) |  |
|----------------------------------|--|
| Product Code                     |  |
| PGA-070                          |  |



| Angled Spanner |  |
|----------------|--|
| Product Code   |  |
| PGA-050        |  |



| Spare Gasket - 1000mm |              |
|-----------------------|--------------|
| Glass Thickness       | Product Code |
| 12 - 17.5mm           | PGA-001      |
| 19 - 21.5mm           | PGA-002      |



| Drainage Spacers                         |                |                        |
|--|----------------|------------------------|
| Fitment                                  | Fitted Size    | Product Code           |
| Base Drilled Channel (15pcs, no sealant) | 90 x 72 x 10mm | PGA-DRAINBLOCK         |
| 5mm Drainage Spacers (15pcs, no sealant) | 90 x 72 x 5mm  | PGA-DRAINSPEACE5M-MKIT |
| Side Drilled Channel                     | 100 x 64 x 8mm | PVA-08DBSIDE           |



| BalconySeal™ - Water Sealing Drainblock Kit suits 3000mm |               |
|--|---------------|
| Parts included   | Product Code  |
| 15 Drain blocks, 2 Tubes Sealant                         | PGA-DRAINAGE  |
| 15x 1mm, 15x 2mm, 15x 3mm                                | PGA-DRSHIMKIT |



| Timber Fixing Plate                                 |                 |
|---|-----------------|
| Parts included                                      | Product Code    |
| 1 Timber Fixing Plate                               | PVA-TIMBERPLATE |
| 15 Timber Fixing Plates, 15 X M12 Bolts and Washers | PVA-TPLATEKIT   |
| 15 M12 Bolts & Washers                              | PVA-TBOLTS      |



# 04 POSIone

Introduction



**POSIone is tested to 1.50kN for domestic and commercial uses. Install and adjust from one side of the channel.**

Easily identified by its characteristic triangular-hollowed core, which provides an incredible strength to weight ratio. **POSIone** is able to achieve up to 1.50kN line load resistance when used with glass panels up to 1200mm high, making it a highly adaptable balustrade system suitable for use as edge protection in both domestic and commercial installations.

**POSIone** was the first fully adjustable system with one side fit. The system benefits from patented slider technology, whereby clamps are slid into position as the glass is angled to enable up to a 20mm tilt in the glass each way. This means that when fitting the channel to an



uneven surface, the angle of the channel can be countered by the adjustment of the glass.



# 04 POSIone

KEY BENEFITS



**FAST AND EASY TO INSTALL AND ADJUST**

One of the most simple balustrade systems to fit and adjust thanks to its patented slide locking technique. No specialist tools are required for installation. Glass can easily be removed and replaced if required.



**APPROPRIATE FOR DOMESTIC AND LIGHT COMMERCIAL**

With up to 1.50kN force loading capability, **POSIone** is a domestic to light commercial crossover product, making it an appropriate choice for a wide range of installations.



**ACCREDITED TO 1.50kN TO BS 6180:2011**

**POSIone** is accredited and approved by multiple organisations to verify that it meets national and international building regulations for use as edge protection, where up to 1.50kN force loading is required.



**20MM ADJUSTMENT CAPABILITY ON 1100MM HIGH GLASS**

**POSIone** is a highly versatile product which can be used with glass thicknesses ranging from 12mm - 21.5mm, using either toughened glass, toughened laminate glass or SentryGlas.



**LIGHTWEIGHT AND STRONG**

Precision engineered using extruded aluminium with a geometrically hollowed out core; providing an incredible strength to weight ratio. For added protection from the elements **POSIone** is anodised to 25 microns.

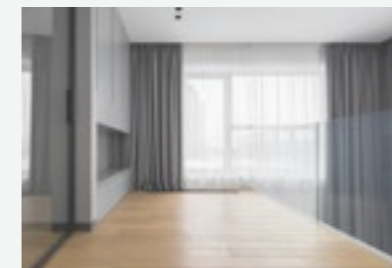


**ONE SIDE FIT AND ADJUSTMENT**

**POSIone** benefits from slider-clamp technology that provides a 2° adjustment angle on either side of the glass, enabling perfect alignment of each glass panel.

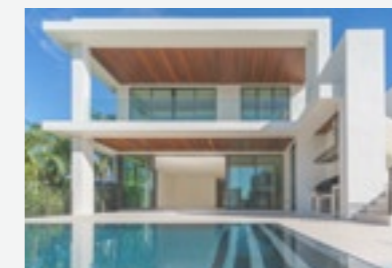
# 04 POSIone

APPLICATIONS



### INTERNAL APPLICATION

- Handrail
- Staircase
- Mezzanine



### EXTERNAL APPLICATION

- Decking
- Balcony
- Windbreak



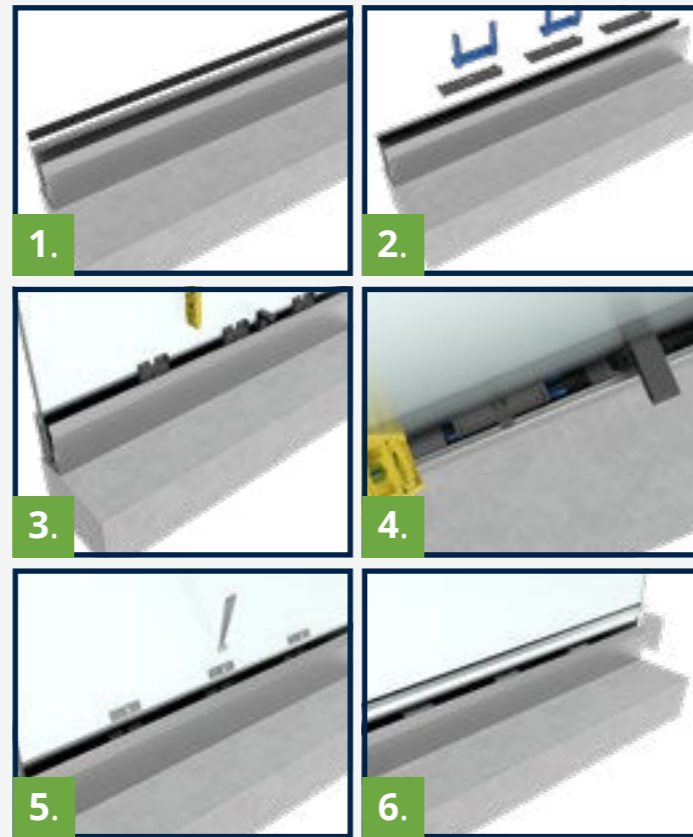
### LIGHT COMMERCIAL APPLICATION

- Restaurant
- Bar
- Hotel

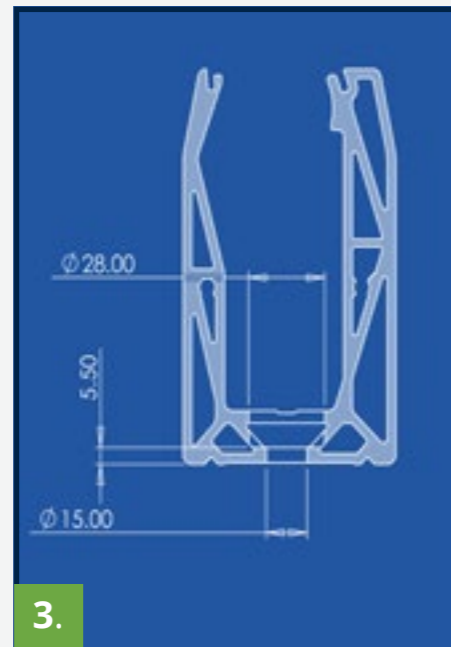
## 04 POSIone INSTALLATION GUIDE

POSIone is simple to install and adjust thanks to its patented technology. These step by step instructions guide you through the installation process.

1. FIT THE CHANNEL & ADJUSTMENT BEAD
2. POSITION THE ISOLATOR AND SLIDER
3. PLACE THE GLASS IN THE CHANNEL
4. SLIDE CLAMPS TO THE LEFT AND PUSH INTO THE CHANNEL
5. INSERT CLAMP BARS
6. ADD THE TRIMS TO FINISH



## 04 POSIone TECHNICAL DRAWINGS




1. POSIone base mounted channel dimensions
2. POSIone bolt hole centres
3. POSIone bolt hole dimensions

### POSIone

POSIone is a one-side-fit frameless glass balustrade. A preferred system amongst installers thanks to the ease of adjustment and the channels large adjustment capabilities.

The glass is able to pivot up to 2° each way from the vertical of the base shoe, allowing for 20mm at the top of the glass at 1200mm high or a total of 40mm from one extreme to the other.

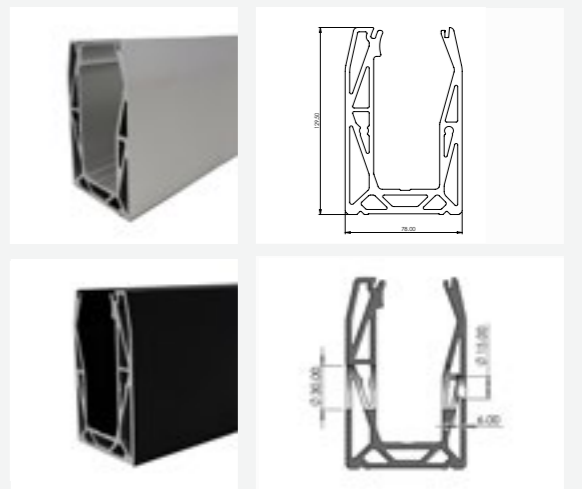


| Base and Side Fixed Channel |        |                           |        |              |  |
|-----------------------------|--------|---------------------------|--------|--------------|--|
| Colour/Type                 | Fixing | Grade + Anodise Thickness | Length | Product Code |  |
| Silver Brushed              | Base   | 6063 25µ                  | 3000mm | POC-01OSBV   |   |
| Black Brushed               | Base   | 6063 25µ                  | 3000mm | POC-010BK    |   |
| Silver Brushed              | Side   | 6063 25µ                  | 3000mm | POC-020      |  |
| Black Brushed               | Side   | 6063 25µ                  | 3000mm | POC-020BK    |  |

| Base Drilled Pre-Fabricated Corners |                |                |
|-------------------------------------|----------------|----------------|
| Colour                              | Angle          | Product Code   |
| Silver Brushed                      | 90 Degrees Int | POA-090SVB-INT |
| Silver Brushed                      | 90 Degrees Ext | POA-090SVB-EXT |
| Black Brushed                       | 90 Degrees Int | POA-090BK-INT  |
| Black Brushed                       | 90 Degrees Ext | POA-090BK-EXT  |

Available in sizes 12-17.5mm, 19mm & 21.5-23mm.

| Top Bead       |                   |        |              |
|----------------|-------------------|--------|--------------|
| Colour/Type    | Anodise Thickness | Length | Product Code |
| Silver Brushed | 6063 25µ          | 3000mm | POA-010SBV   |
| Black Brushed  | 6063 25µ          | 3000mm | POA-010BK    |



| Clamp Kit (Incl. Gasket, Clamps, Bars & Bolts) |                     |              |              |
|--|---------------------|--------------|--------------|
| Glass Thickness                                | Line Load Achieved  | Suits Length | Product Code |
| 12mm   | 0.36kN              | 3000mm       | POB-0012     |
| 13.5mm   | 0.36kN              | 3000mm       | POB-0013     |
| 15mm   | 0.74kN              | 3000mm       | POB-0015     |
| 17.5mm   | 0.74kN              | 3000mm       | POB-0017     |
| 19mm   | 0.74kN              | 3000mm       | POB-0019     |
| 21.5mm   | 0.74kN              | 3000mm       | POB-0021     |
| 21.5mm-1.5KN                                   | 1.50kN Sentry Glass | 3000mm       | POB-0021SGP  |
| 23mm   | 1.50kN              | 3000mm       | POB-0023FR   |



| Spare Gasket - 1000mm |              |
|-----------------------|--------------|
| Glass Thickness       | Product Code |
| 12 & 15mm             | SPLAG-001    |
| 13.5, 17, 19 & 21.5mm | MGA-001      |



| Adjustment Bead- 3000mm  |              |
|--------------------------|--------------|
| Glass Thickness          | Product Code |
| 12 - 17.5mm              | POAB-01      |
| 19mm                     | POAB-02      |
| 21.5mm                   | POAB-03      |
| 23mm                     | POAB-04FR    |
| Side Mount Support Wedge | POA-020W     |



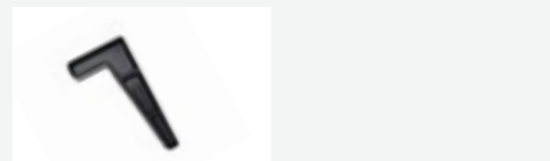
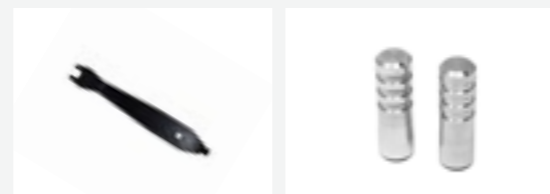
| End Cap 316G S/S Laser Cut                     |                |              |
|--|----------------|--------------|
| Fitment  | Colour         | Product Code |
| Base Drilled Bead/Bead                         | Silver Brushed | POA-060      |
| Base Drilled Bead/Bead                         | Black Brushed  | POA-060-BK   |
| Base Drilled Bead/Bead<br>Elongated for Stairs | Silver Brushed | POA-066      |



| End Cap 316G Cast W/Dowels |                |              |
|----------------------------|----------------|--------------|
| Fitment                    | Colour         | Product Code |
| Base Drilled Bead/Bead     | Silver Brushed | POA-060R     |
| Base Drilled Bead/Bead     | Silver Brushed | POA-060L     |



| Extras                           |              |
|----------------------------------|--------------|
| Product                          | Product Code |
| Joining Dowels (2 req. per join) | RLA-070      |
| Angled Spanner                   | PGA-050      |
| Alignment Wedge                  | PGOB-050     |



| Side Cladding  |              |
|----------------|--------------|
| Parts included | Product Code |
| Silver Brushed | POA-020SBV   |
| Black Brushed  | POA-020BK    |



| Drainage Spacers (more variations available on page 38) |                |                        |
|---|----------------|------------------------|
| Fitment   | Fitted Size    | Product Code           |
| Base Drilled Channel                                    | 90 x 72 x 10mm | PGA-DRAINBLOCK         |
| 5mm Drainage Spacers                                    | 90 x 72 x 5mm  | PGA-DRAINSPEACE5M-MKIT |



| BalconySeal™ - Water Sealing Drainblock Kit suits 3000mm |               |
|--|---------------|
| Parts included   | Product Code  |
| 15 Drain blocks, 2 Tubes Sealant                         | PGA-DRAINAGE  |
| 15x 1mm, 15x 2mm, 15x 3mm                                | PGA-DRSHIMKIT |

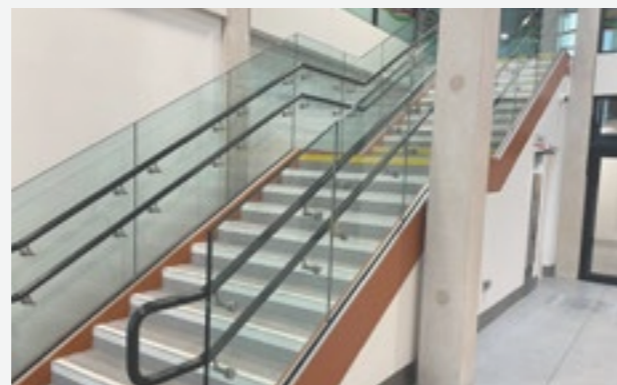


# 05 MEGA<sup>grip</sup> INTRODUCTION



**MEGA<sup>grip</sup>** is Pure Vista's answer to a heavy-duty and fully adjustable 3kN commercial balustrade system, designed as a highly-durable public safety barrier for large commercial constructs.

**MEGA<sup>grip</sup>** uses a variation of our popular POSIglaze screw-clamp technology to secure the glass in place. The system uses a 13mm Hex nut and ¼ inch torque wrench and extension arm to tighten the bolts, for a quick and simple installation. Internal glass clamps allow for easy alignment of the glass within the channel, and are compatible with a wide range of glass thicknesses making **MEGA<sup>grip</sup>** one of the most adaptable balustrade systems on the market today. It can easily be further fortified with a simple conversion kit, to become a bomb-resistant or bullet-proof balustrade system. **MEGA<sup>grip</sup>** is ideal for use as a public space



barrier in busy locations such as transport hubs and venues, where there is a risk of overcrowding.

# 05 MEGA<sup>grip</sup> KEY BENEFITS

✓ FAST AND EASY TO INSTALL AND ADJUST

One of the most simple balustrade systems to fit and adjust thanks to its patented screw-clamp technology. No specialist tools are required for installation. Glass can easily be removed and replaced if necessary.

✓ LIGHTWEIGHT AND STRONG

Precision engineered using extruded aluminium with a geometrically hollowed out core, providing an incredible strength to weight ratio. For added protection, **MEGA<sup>grip</sup>** is anodised to 25 microns.

✓ ACCREDITED TO 3.00kN TO BS 6180:2011

**MEGA<sup>grip</sup>** is accredited and approved by multiple organisations to verify that it meets national and international building regulations for use as edge protection, where up to 3.00kN force is required.

✓ CAN BE USED WITH A WIDE RANGE OF GLASS TYPES

**MEGA<sup>grip</sup>** is a highly versatile product which can be used with glass thicknesses ranging from 21.5mm - 33mm, using either toughened glass, toughened PVB laminate or SentryGlas.

✓ ANTI-TERROR CONVERSION KITS

With 3.00kN force loading capability, **MEGA<sup>grip</sup>** is a commercially appropriate product which can be fortified using conversion kits into bomb-resistant or bulletproof balustrade systems.

✓ GLASS IS EASY TO REMOVE AND CHANGE POST USE

**MEGA<sup>grip</sup>** is as easy to assemble as it is to disassemble, making it simple to install replacement glass panels following use as a bomb-resistant or bullet-proof barrier.

# 05 MEGA<sup>grip</sup> APPLICATIONS



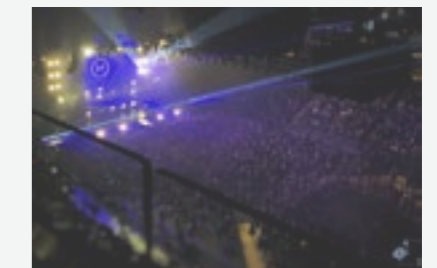
## TALL GLASS APPLICATION

- ✓ Privacy Screens
- ✓ Roof Terraces
- ✓ High Rise Balconies



## COMMERCIAL APPLICATION

- ✓ Music Venues
- ✓ Shopping Centres
- ✓ Office Buildings



## STADIA APPLICATION

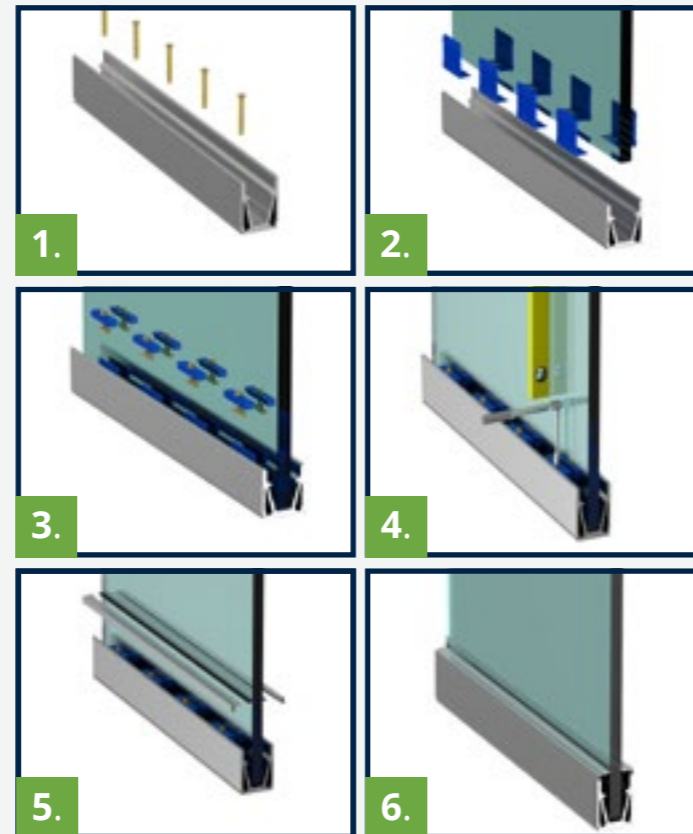
- ✓ Sports Stadiums
- ✓ Airports
- ✓ Railway Stations

## 05 MEGAgrip INSTALLATION GUIDE

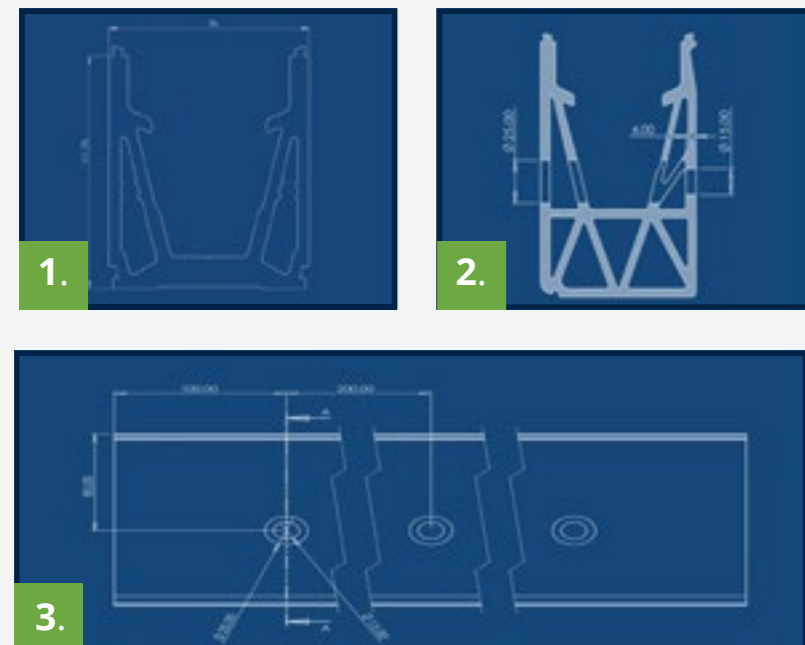
MEGAgrip is easy to install.

These step by step instructions guide you through the base fix installation process.

1. FIT THE CHANNEL
2. ATTACH THE CLAMPS TO THE GLASS
3. ASSEMBLE AND INSERT THE MECHANISM
4. POSITION THE GLASS
5. ADD THE TOP BEAD



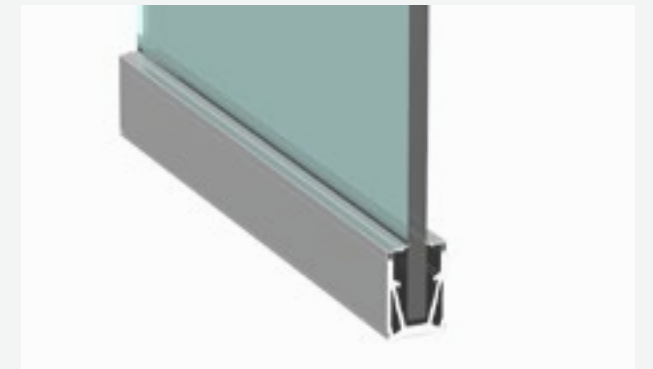
## 05 MEGAgrip TECHNICAL DRAWINGS



1. MEGAgrip base fix channel
2. MEGAgrip side fix channel with holes
3. MEGAgrip base fix bolt hole centres

### MEGAgrip

MEGAgrip uses a variation of our popular POSIglaze screw-clamp technology to secure the glass in place. The system uses a 13mm Hex nut and ¼ inch torque wrench and extension arm to tighten the bolts, for a quick and simple installation. Internal glass clamps allow for easy alignment of the glass within the channel, and are compatible with a wide range of glass thicknesses making MEGAgrip one of the most adaptable balustrade systems on the market.



| Base Drilled Channel |                   |        |              |  |
|----------------------|-------------------|--------|--------------|--|
| Colour/Type          | Anodise Thickness | Length | Product Code |  |
| Silver Brushed       | 6063 25µ          | 3000mm | MGC-010      |  |

| Side Drilled Channel |                   |        |              |  |
|----------------------|-------------------|--------|--------------|--|
| Colour/Type          | Anodise Thickness | Length | Product Code |  |
| Clear Anodised       | 6063 25µ          | 3000mm | MGC-020      |  |

| Top Bead       |                   |        |              |  |
|----------------|-------------------|--------|--------------|--|
| Colour/Type    | Anodise Thickness | Length | Product Code |  |
| Silver Brushed | 6063 25µ          | 3000mm | MGA-020      |  |

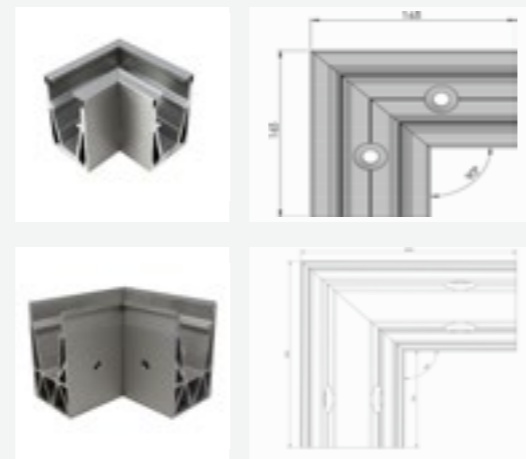
| Side Cladding               |                   |        |              |  |
|-----------------------------|-------------------|--------|--------------|--|
| Colour/Type                 | Anodise Thickness | Length | Product Code |  |
| Silver Brushed for Base Fix | 6063 25µ          | 3000mm | MGA-010-SBV  |  |
| Silver Brushed for Side Fix | 6063 25µ          | 3000mm | MGA-030      |  |



| Clamp Kit (Incl. Gasket) |                         |              |              |
|--------------------------|-------------------------|--------------|--------------|
| Glass Thickness          | Line Load Achieved      | Suits Length | Product Code |
| 21.5mm                   | 1.50kN                  | 3000mm       | MGB-0021     |
| 25mm Tough               | 3.00kN                  | 3000mm       | MGB-0025     |
| 25.5mm (12+12)           | 1.50kN PVB<br>3.00kN SG | 3000mm       | MGB-00255    |
| 31.5mm (15+15)           | 3.00kN                  | 3000mm       | MGB-0031     |
| 33mm (10+10+10)          | 3.00kN                  | 3000mm       | MGB-0033     |



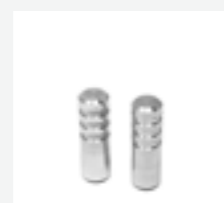
| Base Drilled Pre-Fabricated Corners |            |              |
|-------------------------------------|------------|--------------|
| Colour                              | Angle      | Product Code |
| Base Silver Brushed                 | 90 Degrees | MGA-090      |
| Side Silver Brushed Internal        | 90 Degrees | MGA-090SI    |
| Side Silver Brushed External        | 90 Degrees | MGA-090SE    |



| End Cap 316G S/S Laser Cut       |        |              |
|----------------------------------|--------|--------------|
| Fitment                          | Colour | Product Code |
| Base Drilled Bead/Bead           | Satin  | MGA-060      |
| Base Drilled Cladding/Cladding   | Satin  | MGA-061      |
| Base Drilled Cladding/Bead Left  | Satin  | MGA-062L     |
| Base Drilled Cladding/Bead Right | Satin  | MGA-062R     |
| Side Drilled Cladding/Bead Left  | Satin  | MGA-063L     |
| Side Drilled Cladding/Bead Right | Satin  | MGA-063R     |
| Side Drilled Bead/Bead           | Satin  | MGA-064      |



| Joining Dowels (2 req. per join) |  |
|----------------------------------|--|
| Product Code                     |  |
| PGA-070                          |  |



| Spare Gasket    |              |
|-----------------|--------------|
| Glass Thickness | Product Code |
| 25mm - 33mm     | MGA-001      |



## 05 ANTI-TERROR

### KEY BENEFITS



FAST AND EASY TO INSTALL AND ADJUST

One of the most simple balustrade systems to fit and adjust thanks to its patented screw-clamp technology. No specialist tools are required for installation.



LIGHTWEIGHT AND STRONG

Precision engineered using extruded aluminium with a geometrically hollowed out core, providing an incredible strength to weight ratio. For added protection, **MEGA**grip is anodised to 25 microns.



ACCREDITED TO 3.00kN TO BS 6180:2011

**BLAST**guard and **BULLET**guard are accredited and approved by multiple organisations to verify that it meets national and international building regulations for use as edge protection, where up to 3.00kN force is required.



CAN BE USED WITH A WIDE RANGE OF GLASS TYPES

**BLAST**guard only works with 31.5mm PVB – A non-specialist laminate glass type saving you cost. **BULLET**guard can use up to 36mm glass specialist bullet resistant glass.



ANTI-TERROR CONVERSION KITS

With 3.00kN force loading capability, **MEGA**grip is a commercially appropriate product which can be fortified using conversion kits into bomb-resistant or bulletproof balustrade systems after the initial installation.

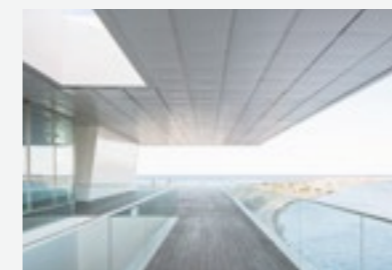


GLASS IS EASY TO REMOVE AND CHANGE POST USE

**BLAST**guard and **BULLET**guard are as easy to assemble and disassemble, making it simple to install replacement glass panels following use as a bomb-resistant or bullet-proof barrier.

## 05 ANTI-TERROR

### APPLICATIONS



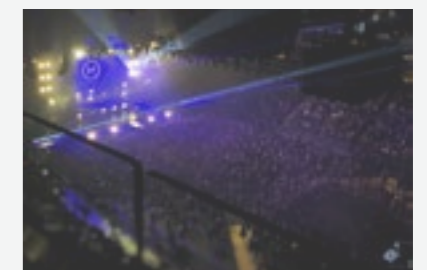
TALL GLASS APPLICATION

- ✓ Safety Screens
- ✓ Roof Terraces
- ✓ High Rise Balconies



COMMERCIAL APPLICATION

- ✓ Music Venues
- ✓ Shopping Centres
- ✓ Office Buildings



STADIA APPLICATION

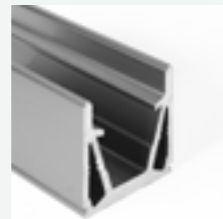
- ✓ Arenas & Stadiums
- ✓ Airports
- ✓ Transport Hubs

**BLASTguard**

Ideal for any location where a bomb blast is a threat, where up to 3kN frameless glass balustrade is required. **BLASTguard** combines the **MEGA**grip balustrade channel with the **BLASTguard** installation kit, meaning that any **MEGA**grip installation can be converted into a **BLASTguard** balustrade. **BLASTguard** in ASIAD and SIDOS compliant.



| Base Drilled Channel |                   |        |              |
|----------------------|-------------------|--------|--------------|
| Colour/Type          | Anodise Thickness | Length | Product Code |
| Silver Brushed       | 6063 25µ          | 3000mm | MGC-010BG    |



| Side Cladding  |                   |        |              |
|----------------|-------------------|--------|--------------|
| Colour/Type    | Anodise Thickness | Length | Product Code |
| Silver Brushed | 6063 25µ          | 3000mm | MGA-010-SBV  |



| Blast Insert (Incl. Gasket) |                    |              |              |
|-----------------------------|--------------------|--------------|--------------|
| Glass Thickness             | Line Load Achieved | Suits Length | Product Code |
| 31.5mm PVB                  | 3.00kN             | 3000mm       | PVBG-0031    |

| Joining Dowels (2 req. per join) |  |
|----------------------------------|--|
| Product Code                     |  |
| PGA-070-GR                       |  |

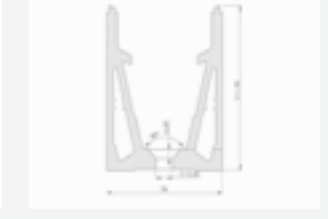
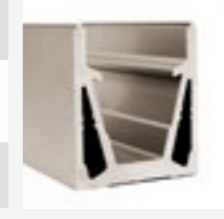


**BULLETguard**

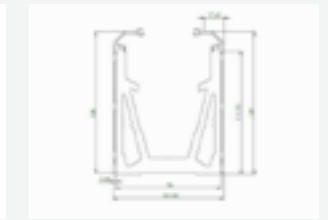
Ideal for any location where there is a threat of gunfire and where up to 3kN frameless glass balustrade is required. **BULLETguard** combines the **MEGA**grip balustrade channel with the **BULLETguard** installation kit, meaning that any Base drilled **MEGA**grip installation can be converted into a **BULLETguard** balustrade.



| Base Drilled Channel |                   |        |              |
|----------------------|-------------------|--------|--------------|
| Colour/Type          | Anodise Thickness | Length | Product Code |
| Silver Brushed       | 6063 25µ          | 3000mm | MGC-010      |

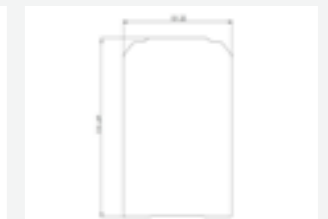


| Side Cladding  |                   |        |              |
|----------------|-------------------|--------|--------------|
| Colour/Type    | Anodise Thickness | Length | Product Code |
| Silver Brushed | 6063 25µ          | 3000mm | MGA-010-SBV  |



| Clamp Kit (Incl. Gasket) |                    |              |              |
|--------------------------|--------------------|--------------|--------------|
| Glass Thickness          | Line Load Achieved | Suits Length | Product Code |
| 35.7mm                   | 1.50kN             | 3000mm       | MGB-0035B    |

| End Cap 316G S/S Laser Cut  |        |              |
|-----------------------------|--------|--------------|
| Fitment                     | Colour | Product Code |
| Side Cladding/Side Cladding | Satin  | MGA-061      |



| Top Bead       |                   |        |              |
|----------------|-------------------|--------|--------------|
| Colour/Type    | Anodise Thickness | Length | Product Code |
| Silver Brushed | 6063 25µ          | 3000mm | MGA-020      |



## 06 Fixing Plates

### PRODUCT INFORMATION

#### Timber Fixing plates

Pure Vista now have a range of specifically designed fixing plates that work with Pure Vista channel. The timber fixing plate is available to use with both base fix POSIglaze and POSlone channels.

Test reports and drawings are available for both on the website.



#### Timber Fixing Plate

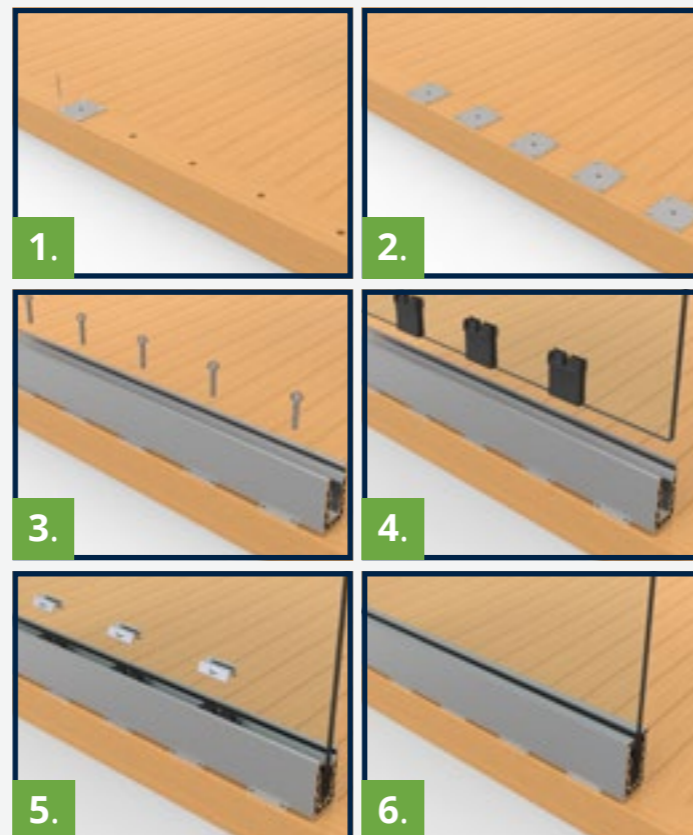
| Parts included                                      | Product Code    |
|---|-----------------|
| 1 Timber Fixing Plate                               | PVA-TIMBERPLATE |
| 15 Timber Fixing Plates, 15 X M12 Bolts and Washers | PVA-TPLATEKIT   |
| 15 M12 Bolts & Washers                              | PVA-TBOLTS      |

## 06 fixing plates

### INSTALLATION GUIDE

Follow the instructions to install the timber fixing plate. More detailed instructions can be found on our website.

1. Drill the pilot holes
2. Fix down the timber plates
3. Fix the channels on top of the plates
4. Fit the clamps and glass
5. Adjust the glass using the bolts
6. Finish the installation with top bead and end-caps



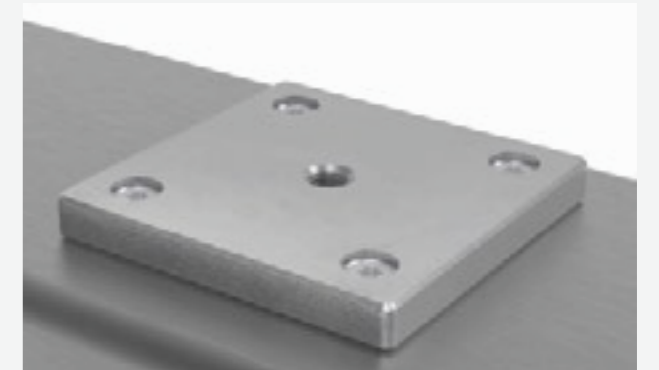
## 06 Fixing Plates

### PRODUCT INFORMATION

#### Steel Fixing plates

Pure Vista now have a range of specifically designed steel fixing plates that work with Pure Vista channel.

The steel fixing plate is compatible with POSIglaze base and side fix. Each plate is 12mm thick to ensure channel is securely fixed. Designed with chamfered edges to allow for welding to RHS. Screw holes are stepped to ensure the heads cannot interfere with channel during installation.



#### Steel Fixing Plate (supplied with self-drilling screws, M12 bolts and washers)

| Parts included       | Product Code     |
|----------------------|------------------|
| Base-fix Steel Plate | PVA-SPLATES-BASE |
| Side-fix Steel Plate | PVA-SPLATES-SIDE |

## 06 fixing plates

### INSTALLATION GUIDE

Follow the instructions to install the steel fixing plate. More detailed instructions can be found on our website.

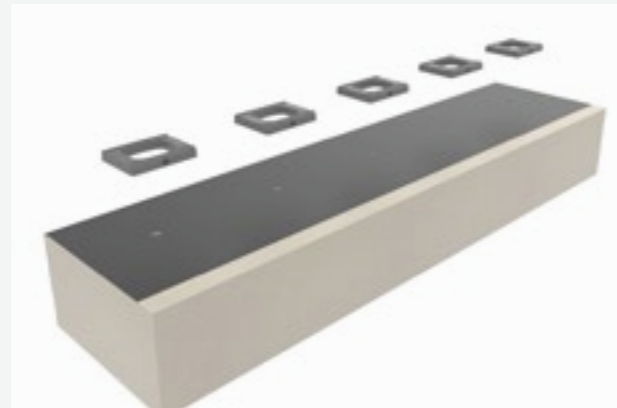
1. Use the channel to mark and drill pilot holes
2. Drill 4 fixing holes for each steel plate
3. Fix the steel plates with 4 screws
4. Position the channel
5. Fix down the channel
6. Finish the installation as normal



# 07 BALCONY SEAL® Introduction

## Balcony Seal®

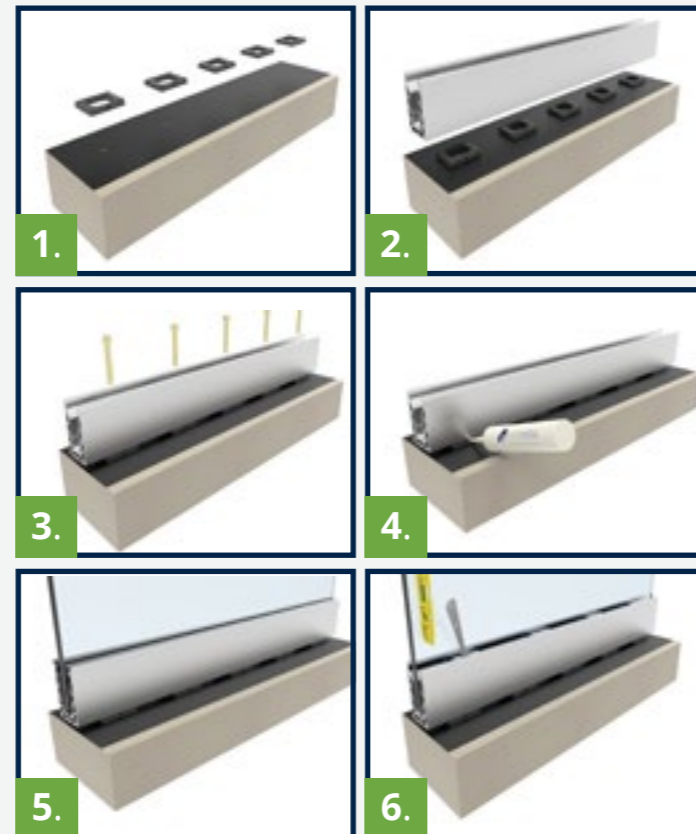
The Balcony Seal® drain block is made of plastic that is strong and will stand the test of time. The patented design works with Pure Vista products only. Specially created to defend your property from water damage when balustrade is installed. The Balcony Seal® system is designed to work with the POSIglaze and POSIone channels and the SPIG-LITEadvanced.



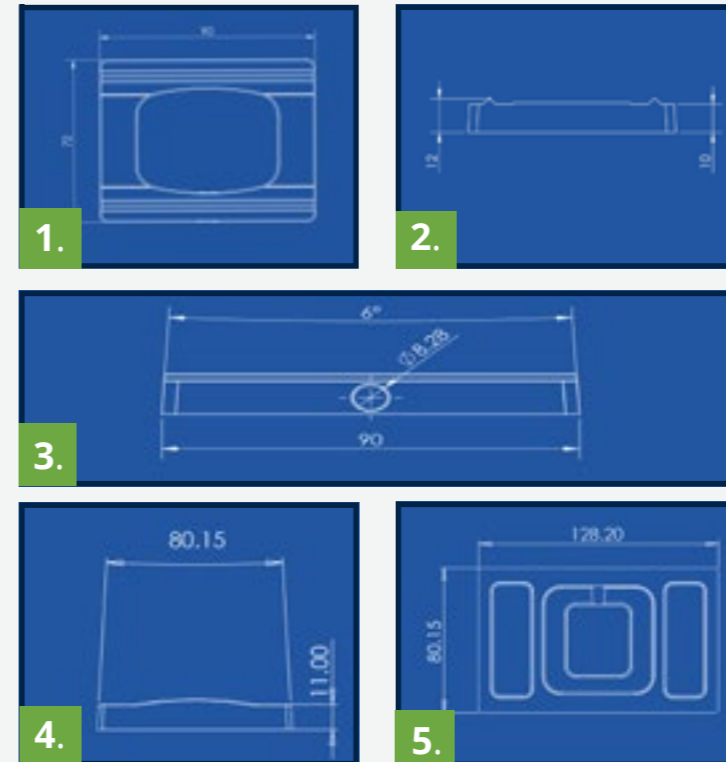
# 07 BALCONY SEAL® INSTALLATION GUIDE

These step by step instructions guide you through the POSIglaze installation process, using Balcony Seal®.

1. POSITION THE DRAIN BLOCKS
2. ALIGN THE CHANNEL
3. FIT THE BOLTS
4. RESIN
5. FIT THE GLASS
6. ALIGN THE GLASS



# 07 BALCONY SEAL® TECHNICAL DRAWINGS

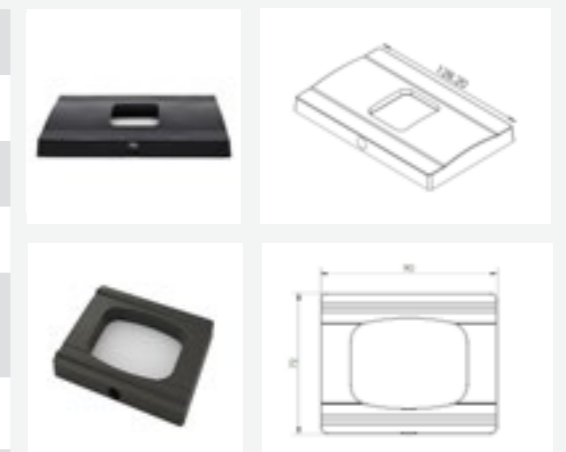


1. POSIglaze Drain Block aerial view
2. POSIglaze Drain Block depth
3. POSIglaze Drain Block side view
4. SPIG-LITEadvanced Drain Block depth
5. SPIG-LITEadvanced Drain Block view from below

| Balcony Seal® Kits    |                      |               |
|-----------------------|----------------------|---------------|
| Balcony Seal® Product | Parts Included       | Product Code  |
| POSIglaze Kit         | 15 blocks, 2 sealant | PGA-Drainage  |
| SPIG-LITEadvanced Kit | 6 blocks, 1 sealant  | SPLA-Drainage |



| Balcony Seal® extras          |                |                        |
|-------------------------------|----------------|------------------------|
| Balcony Seal® Product         | Parts Included | Product Code           |
| POSI Drain Block 10mm         | 1              | ZPGA-080               |
| POSI Drain Block 5mm          | 1/15           | PGA-DRAINSPEACE5MM/KIT |
| SPIG-LITEadvanced Drain Block | 1              | SPLTA-Drain            |
| Shim Kit                      | 45             | PGA-DRSHIMKIT          |
| Sealant                       | 1              | ZCT1BLACK              |
| 360 Nozzle                    | 1              | PVA-NOZZLE360          |



# 08 Accessories and other products

## Handrail

Balustrade for the purpose of edge protection requires a backup safety feature. As Pure Vista specialise in frameless balustrade systems, we promote using laminated glass since this provides a second safety feature as required by building regulations (BS 6180:2011), and therefore no handrail is required. The alternative to laminate glass, is the use of a handrail with toughened glass.

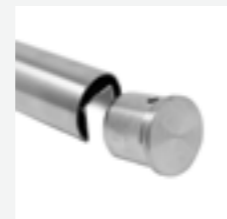


## Stainless-Steel Handrail

| Slot Tube |          |                     |        |              |
|-----------|----------|---------------------|--------|--------------|
| Finish    | Diameter | Grade               | Length | Product Code |
| Satin     | 42.4mm   | 316 Stainless Steel | 1500mm | HR42-001     |
| Satin     | 42.4mm   | 316 Stainless Steel | 3000mm | HR42-002     |
| Satin     | 42.4mm   | 316 Stainless Steel | 6000mm | HR42-003     |



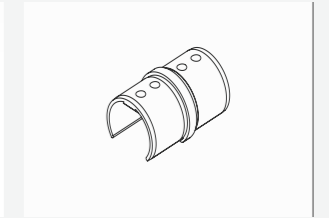
| End Cap |          |                     |              |
|---------|----------|---------------------|--------------|
| Finish  | Diameter | Grade               | Product Code |
| Satin   | 42.4mm   | 316 Stainless Steel | HR42A-001    |



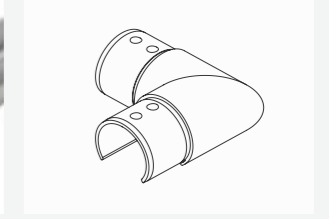
| Wall Flange |          |                     |              |
|-------------|----------|---------------------|--------------|
| Grade       | Diameter | Grade               | Product Code |
| Satin       | 42.4mm   | 316 Stainless Steel | HR42A-002    |



| Straight Connector  |          |        |              |
|---------------------|----------|--------|--------------|
| Grade               | Diameter | Finish | Product Code |
| 316 Stainless Steel | 42.4mm   | Satin  | HR42A-003    |



| 90° Horizontal Corner |          |        |              |
|-----------------------|----------|--------|--------------|
| Grade                 | Diameter | Finish | Product Code |
| 316 Stainless Steel   | 42.4mm   | Satin  | HR42A-004    |



| 90° Vertical Corner |          |        |              |
|---------------------|----------|--------|--------------|
| Grade               | Diameter | Finish | Product Code |
| 316 Stainless Steel | 42.4mm   | Satin  | HR42A-005    |

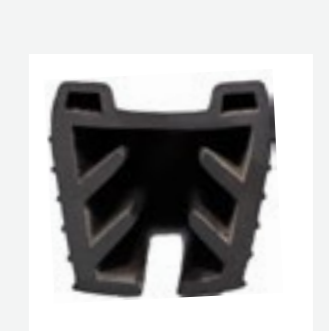


## Aluminium Handrail

| Slot Tube |          |               |        |              |
|-----------|----------|---------------|--------|--------------|
| Finish    | Diameter | Grade         | Length | Product Code |
| Silver    | 42.4mm   | Aluminium 25μ | 3000mm | HRA42S-001   |
| Silver    | 42.4mm   | Aluminium 25μ | 6000mm | HRA42S-002   |
| Black     | 42.4mm   | Aluminium 25μ | 3000mm | HRA42B-001   |
| Black     | 42.4mm   | Aluminium 25μ | 6000mm | HRA42B-002   |



| U-Gasket       |                 |        |              |
|----------------|-----------------|--------|--------------|
| Slot Tube Dia. | Glass Thickness | Length | Product Code |
| 42.4mm         | 12mm            | 6000mm | HR42G-0012   |
| 42.4mm         | 15mm -17.5mm    | 6000mm | HR42G-0015   |
| 42.4mm         | 19mm-21.5mm     | 6000mm | HR42G-0019   |



| Finish                    | Diameter | Material  | Product Code  |
|---------------------------|----------|-----------|---------------|
| <b>End Cap</b>            |          |           |               |
| Black                     | 42.4mm   | Plastic   | HRA42P-001    |
| Grey                      | 42.4mm   | Plastic   | HRA42P-001G   |
| <b>Straight Connector</b> |          |           |               |
| Black                     | 42.4mm   | Plastic   | HRA42-002     |
| Grey                      | 42.4mm   | Plastic   | HRA42-002G    |
| <b>90 Degrees Corner</b>  |          |           |               |
| Black                     | 42.4mm   | Plastic   | HRA42P-003    |
| Grey                      | 42.4mm   | Plastic   | HRA42P-003G   |
| <b>Adjustable Corner</b>  |          |           |               |
| Silver                    |          | Steel     | HRA42AJ-001   |
| <b>Wall Flange</b>        |          |           |               |
| Silver                    | 42.4mm   | Aluminium | HRA42AW-001   |
| Black                     | 42.4mm   | Aluminium | HRA42AW-001BK |



### Glass Hardware

Pure Vista are able to offer a range of glass hardware fittings. We stock products which give the ability for different finishes of glass balconies and clamps to further fortify the installation to meet the building regulations.



| Flat Back D-Clamps  |        |                 |              |
|---------------------|--------|-----------------|--------------|
| Material            | Finish | Glass Thickness | Product Code |
| 316 Stainless Steel | Satin  | 12mm            | PVA-D12      |
| 316 Stainless Steel | Satin  | 13.5mm – 15mm   | PVA-D15      |
| 316 Stainless Steel | Satin  | 17.5mm – 21.5mm | PVA-D21      |



### Glass Stiffeners

A glass stiffener helps to maintain glass alignment in an installation that is prone to experiencing high winds or other forces, which over time may shift the position of individual glass panels. Depending on the building regulations that apply to your project, glass stiffeners can serve as an unobtrusive alternative to handrail. These are produced out of duplex 2205 stainless steel providing even better corrosion resistance.



### Laminate Edge Protection

| Glass Cover Strip |                 |               |        |              |
|-------------------|-----------------|---------------|--------|--------------|
| Finish            | Glass Thickness | Grade         | Length | Product Code |
| Silver Brushed    | 17.5mm          | Aluminium 25µ | 3000mm | GCS-0017     |
| Silver Brushed    | 21.5mm          | Aluminium 25µ | 3000mm | GCS-0021     |
| Black Brushed     | 25.5mm          | Aluminium 25µ | 3000mm | GCS-0025     |
| Black Brushed     | 31.5mm          | Aluminium 25µ | 3000mm | GSC-0031     |



| Straight connectors |        |                 |               |
|---------------------|--------|-----------------|---------------|
| Material            | Finish | Glass Thickness | Product Code  |
| Duplex 2205         | Satin  | 13.5-15mm       | PVA-STIFF13.5 |
| Duplex 2205         | Satin  | 17.5-19mm       | PVA-STIFF17   |
| Duplex 2205         | Satin  | 21.5mm          | PVA-STIFF21   |



| Material      | Finish | Glass Thickness | Product Code    |
|---------------|--------|-----------------|-----------------|
| 90° Angle     |        |                 |                 |
| Duplex 2205   | Satin  | 13.5-15mm       | PVA-STIFF9013.5 |
| Duplex 2205   | Satin  | 17.5-19mm       | PVA-STIFF9017   |
| Duplex 2205   | Satin  | 21.5mm          | PVA-STIFF9021   |
| Wall Mounted  |        |                 |                 |
| 316 Stainless | Satin  | 13.5-15mm       | PVA-STIFFW13.5  |
| 316 Stainless | Satin  | 17.5-19mm       | PVA-STIFFW17.5  |
| 316 Stainless | Satin  | 21.5mm          | PVA-STIFFW21.5  |
| Adjustable    |        |                 |                 |
| Duplex 2205   | Satin  | 17.5-19mm       | PVA-STIFFADJ17  |



**Point Fixings**

Point fixtures are a useful alternative to balustrade channel when the force loading requirements of the project allow and when a balustrade channel doesn't suit the installation.



| Point Fixings |                 |          |              |              |
|---------------|-----------------|----------|--------------|--------------|
| Material      | Standoff        | Diameter | Threaded Rod | Product Code |
| 316 Stainless | 10mm (standard) | 52mm     | M10 X 150mm  | PVA-POINT    |

| Optional Standoff |          |          |              |
|-------------------|----------|----------|--------------|
| Material          | Standoff | Diameter | Product Code |
| 316 Stainless     | 20mm     | 52mm     | PVA-POINT20  |
| 316 Stainless     | 30mm     | 52mm     | PVA-POINT30  |
| 316 Stainless     | 40mm     | 52mm     | PVA-POINT40  |
| 316 Stainless     | 50mm     | 52mm     | PVA-POINT50  |



**Steel Bolts**

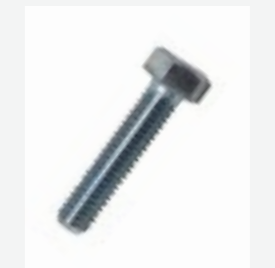
| Concrete Screws |            |             |              |
|-----------------|------------|-------------|--------------|
| Bolt Diameter   | Drill hole | Bolt Length | Product Code |
| 14mm x 25pcs    | 12mm       | 110mm       | PVA-CSCREW   |



| Resin Anchor Rod  |            |             |               |
|-------------------|------------|-------------|---------------|
| Bolt Diameter     | Drill hole | Bolt Length | Product Code  |
| 5.8 T M12 x 10pcs | 14mm       | 160mm       | PVA-RANCHOR   |
| 8.8T M12 x 10pcs  | 14mm       | 160mm       | PVA-RANCHORHT |



| Steel Bolt  |              |      |        |          |                  |
|-------------|--------------|------|--------|----------|------------------|
| Type        | Head         | Size | Length | Strength | Product Code     |
| Zinc Plated | Hex-Head     | M12  | 30mm   | 10.9     | PVA-BOLTM12X30   |
| Zinc Plated | Counter-Sunk | M12  | 55mm   | 10.9     | PVA-BOLTM12X55CS |



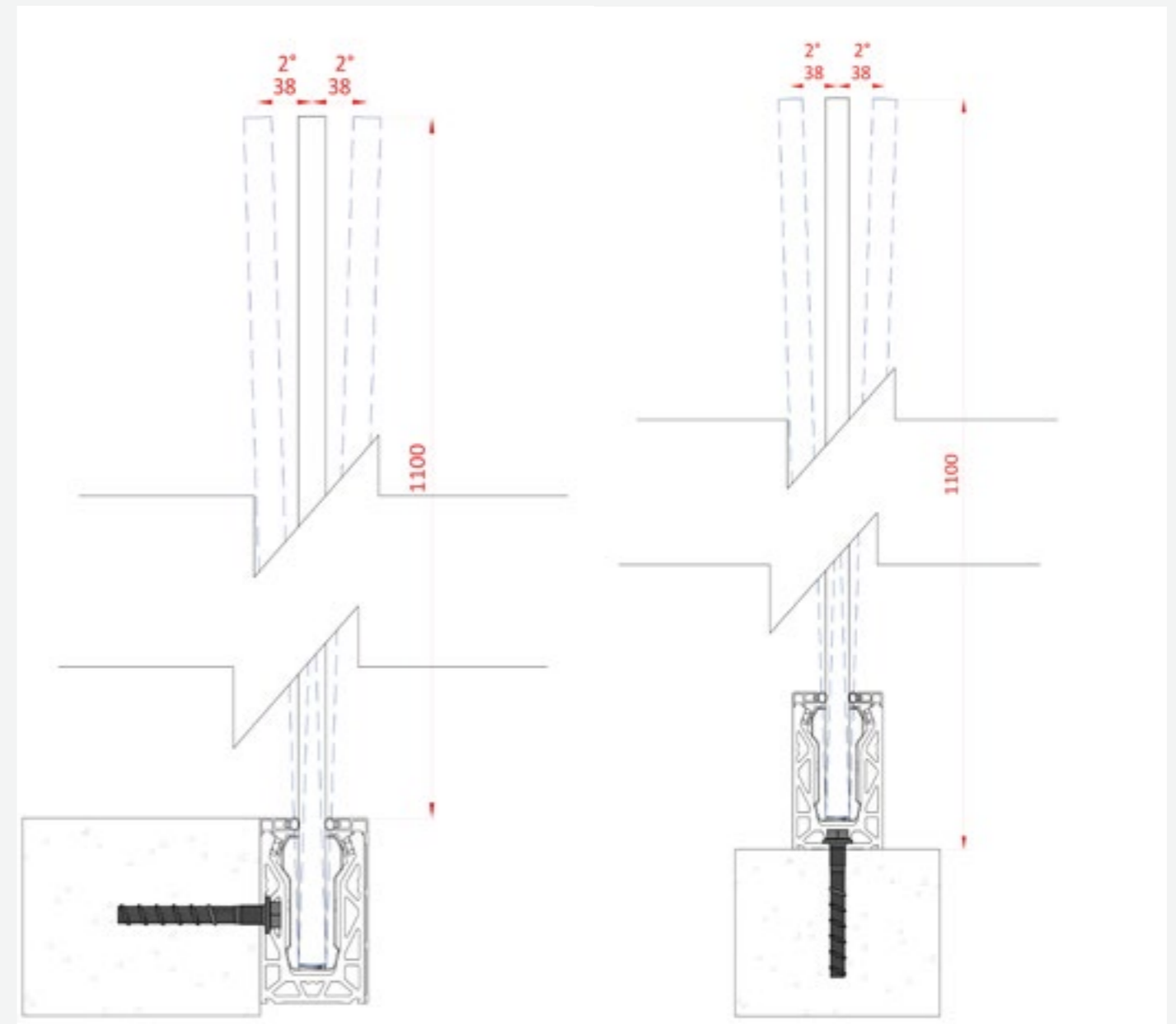
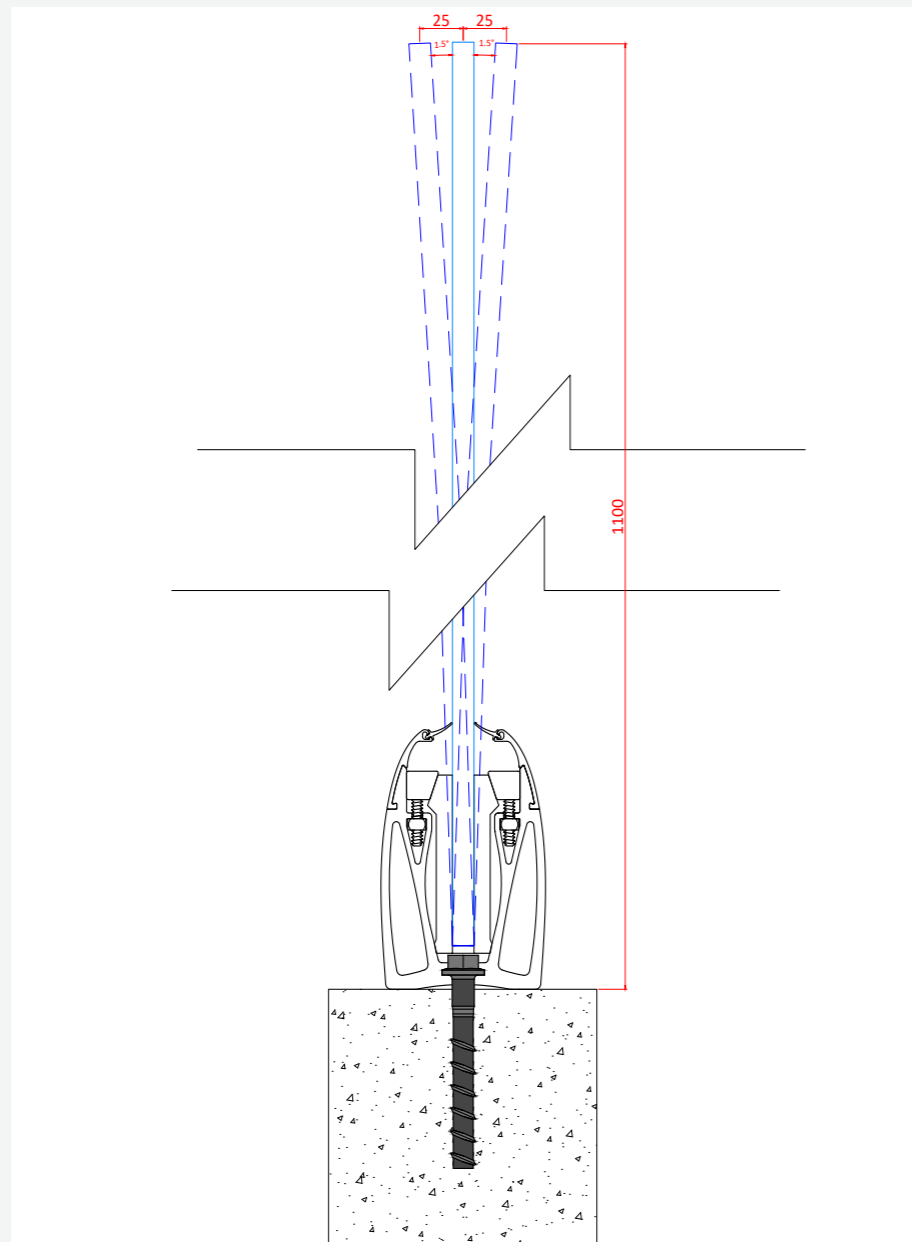
| Bolts       |          |             |        |          |              |
|-------------|----------|-------------|--------|----------|--------------|
| Type        | Head     | Size        | Length | Strength | Product Code |
| Zinc Plated | Hex-Head | M12 x 15pcs | 55mm   | 8.8      | PVA-BOLTS    |



| Glass Cleaner |              |
|---------------|--------------|
| Volume        | Product Code |
| 1 lt          | PVA-GCLEAN   |



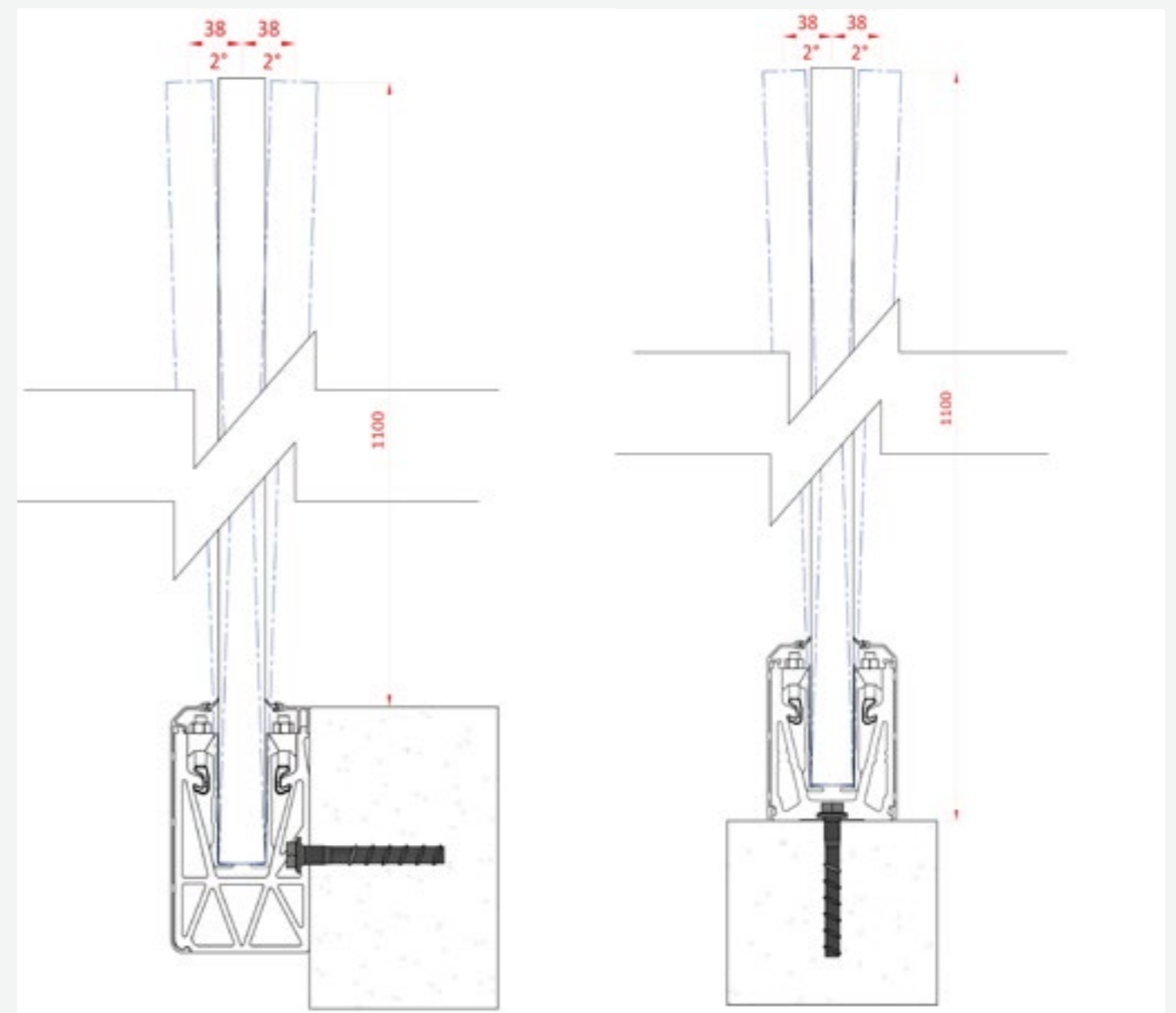
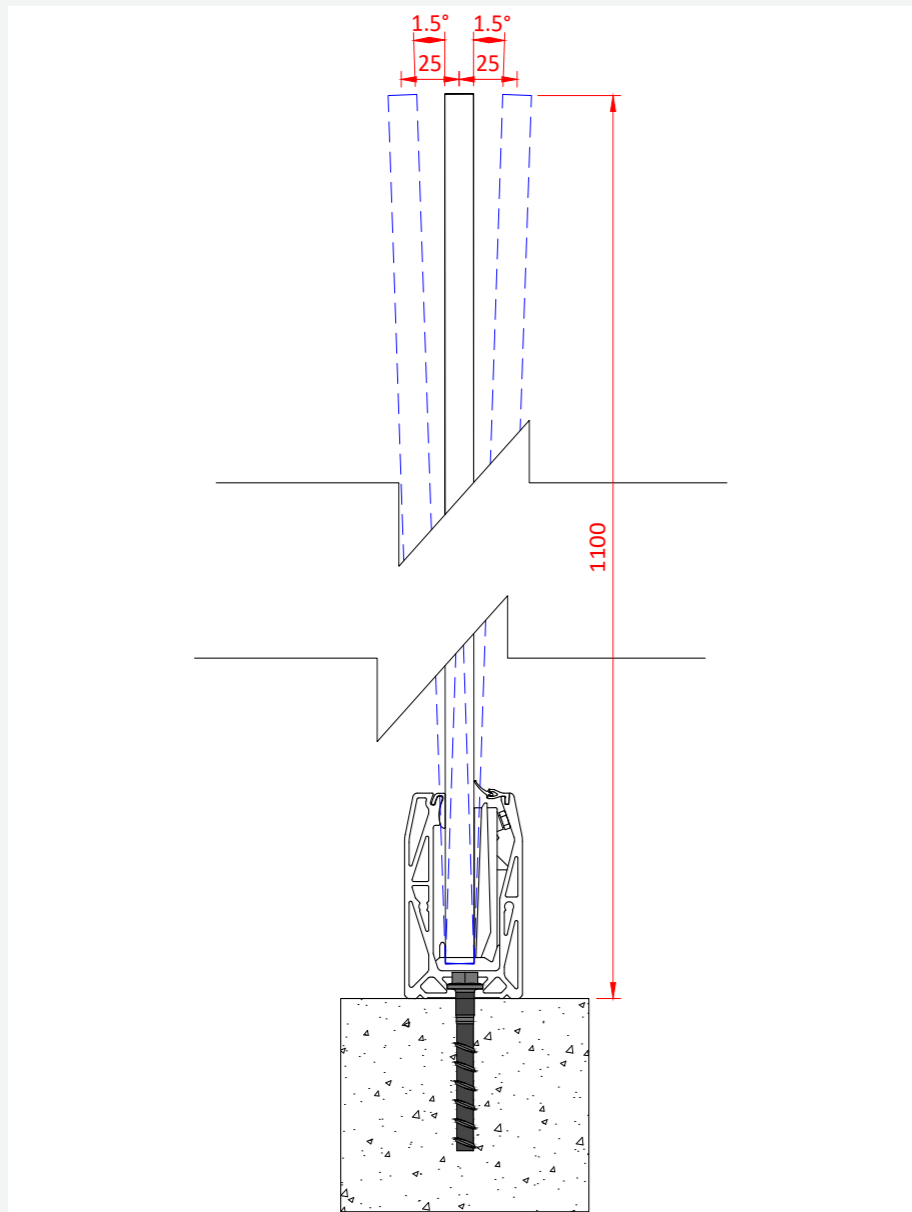
# 09 Glass Deflection





**POSIONE**

**MEGA**grip



# Notes



EASYSSTEEL

#### DANMARK

Hesselager 19  
2605 Brøndby  
Telefon +4543622563  
Mail: [sales@easysteel.dk](mailto:sales@easysteel.dk)  
[www.easysteel.dk](http://www.easysteel.dk)  
[www.shop.easysteel.dk](http://www.shop.easysteel.dk)

#### SVERIGE

Röda Stugans Gata 2  
60228 Norrköping  
Telefon +46 011-182323  
Mail: [sales@easysteel.se](mailto:sales@easysteel.se)  
[www.easysteel.se](http://www.easysteel.se)  
[www.shop.easysteel.se](http://www.shop.easysteel.se)

#### NORGE

RK Smia A/S  
Verkseier Furulunds vei 10  
0668 Oslo  
Telefon +4722366070  
Mail: [sales@easysteel.no](mailto:sales@easysteel.no)  
[www.easysteel.no](http://www.easysteel.no)