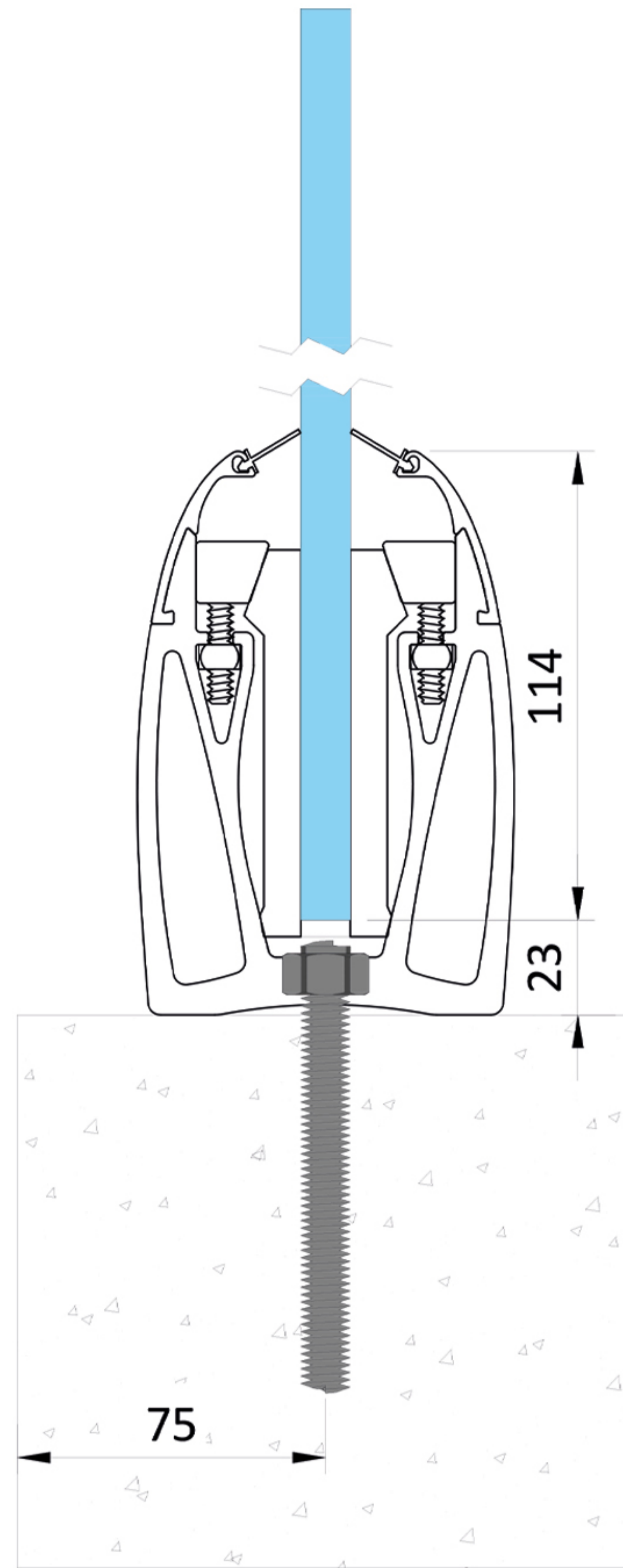
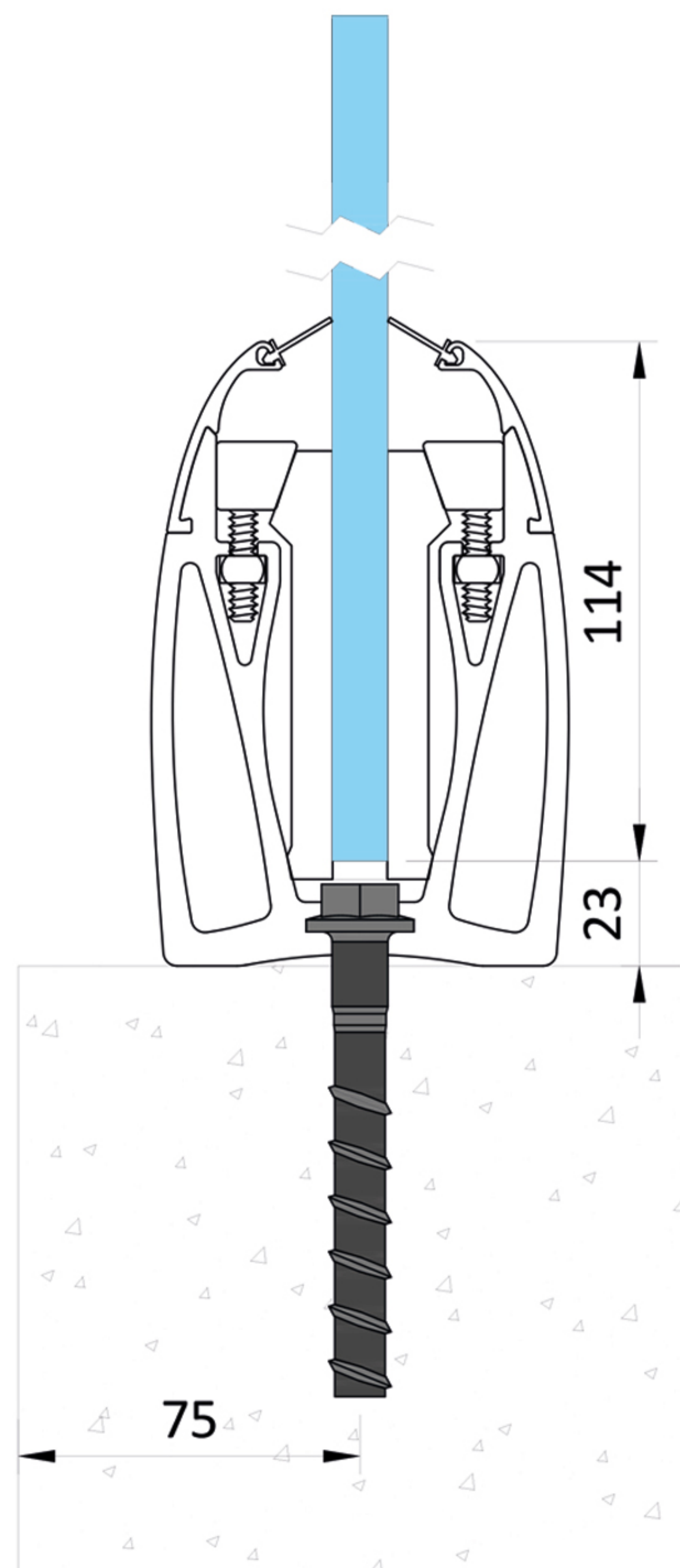




**SPIG-LITE**  
advanced



SpigLite Adv - 0.74 kN - Resin Anchor



SpigLite Adv - 0.74 kN - Concrete Screw